

NOTES:

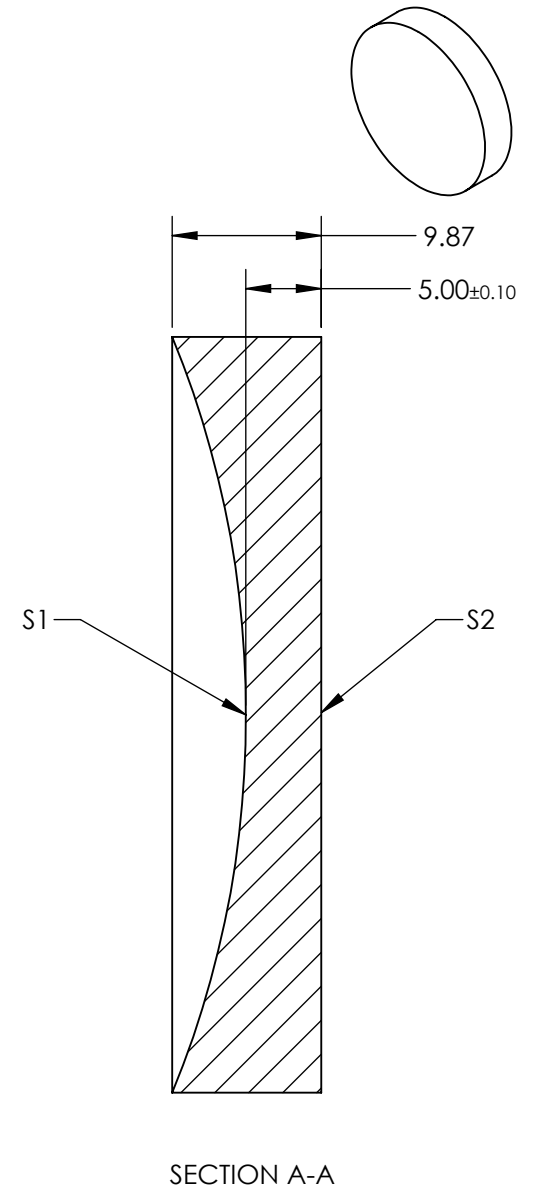
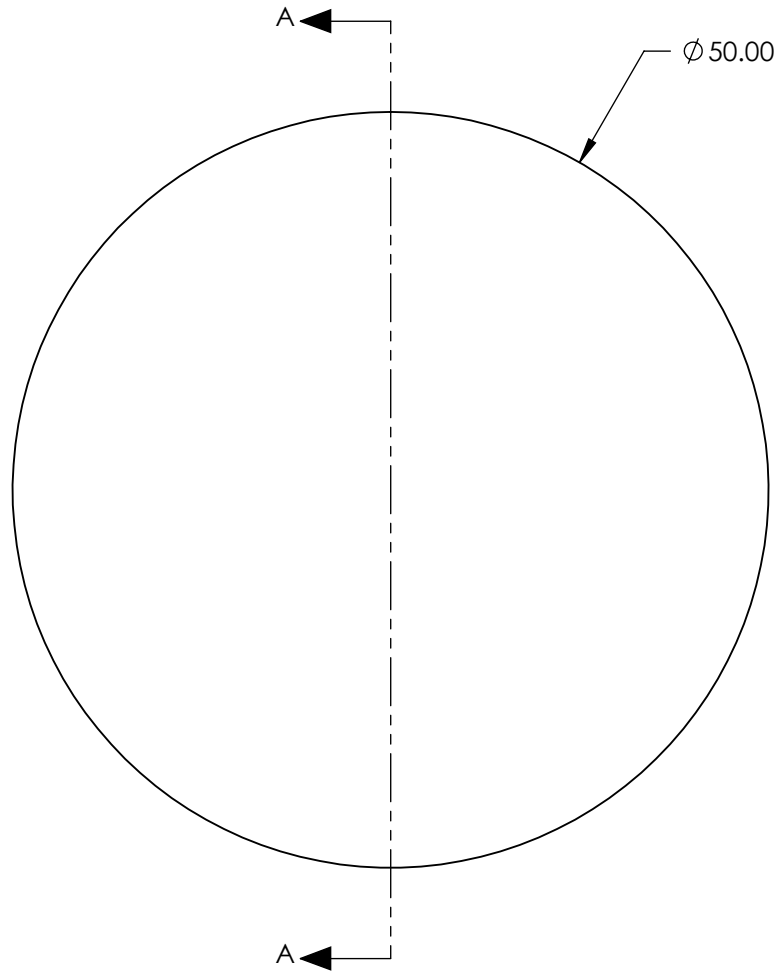
1. SUBSTRATE:
N-BK7

2. COATING (APPLY ACROSS CLEAR APERTURE)

S1 & S2: Rabs <0.25% @ 532nm, Rabs <0.25% @ 1064nm, Ravg <1.0% @ 500 - 1100nm

3. FOCAL LENGTH TOLERANCE: ±1

4. ROHS COMPLIANT



**FOR INFORMATION ONLY:
DO NOT MANUFACTURE
PARTS TO THIS DRAWING**

SPECIFICATIONS SUBJECT TO CHANGE WITHOUT NOTICE
DIMENSIONS ARE FOR REFERENCE ONLY

	S1	S2
SHAPE	CONCAVE	PLANO
SURFACE QUALITY	40-20	40-20
CLEAR APERTURE	Ø 49	Ø 49
BEVEL	PROTECTED AS NEEDED	PROTECTED AS NEEDED



ALL DIMS IN

mm

EO® Edmund Optics®

TITLE

LENS PCV 50 X -125 YAGBBAR TS

DWG NO

21323

SHEET
25 OF 25