

NOTES:

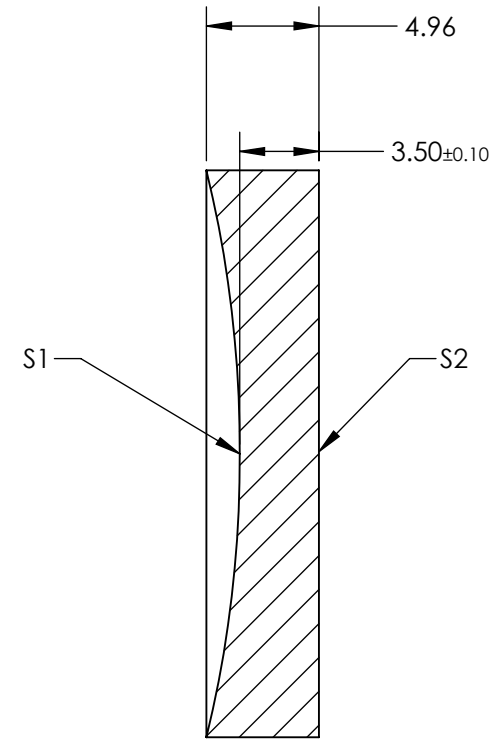
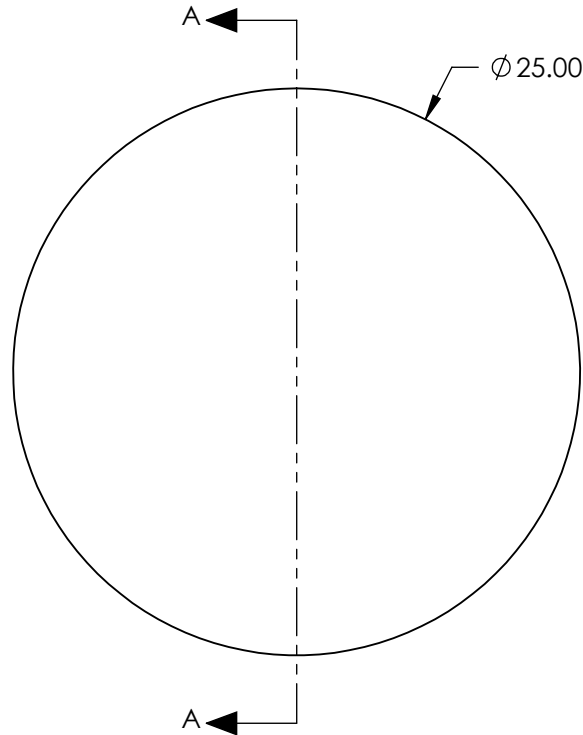
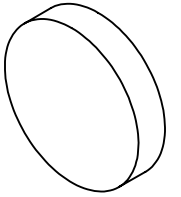
1. SUBSTRATE:
N-SF11

2. COATING (APPLY ACROSS CLEAR APERTURE)

S1 & S2: Rabs <0.25% @ 532nm, Rabs <0.25% @ 1064nm, Ravg <1.0% @ 500 - 1100nm

3. FOCAL LENGTH TOLERANCE: ±1

4. ROHS COMPLIANT



SECTION A-A

**FOR INFORMATION ONLY:
DO NOT MANUFACTURE
PARTS TO THIS DRAWING**

SPECIFICATIONS SUBJECT TO CHANGE WITHOUT NOTICE
DIMENSIONS ARE FOR REFERENCE ONLY

	S1	S2
SHAPE	CONCAVE	PLANO
SURFACE QUALITY	40-20	40-20
CLEAR APERTURE	Ø 24	Ø 24
BEVEL	PROTECTED AS NEEDED	PROTECTED AS NEEDED



ALL DIMS IN mm

EO® Edmund Optics®

TITLE	LENS PCV 25 X -100 YAGBBAR TS		
DWG NO	21321	SHEET	23 OF 25