

NOTES:

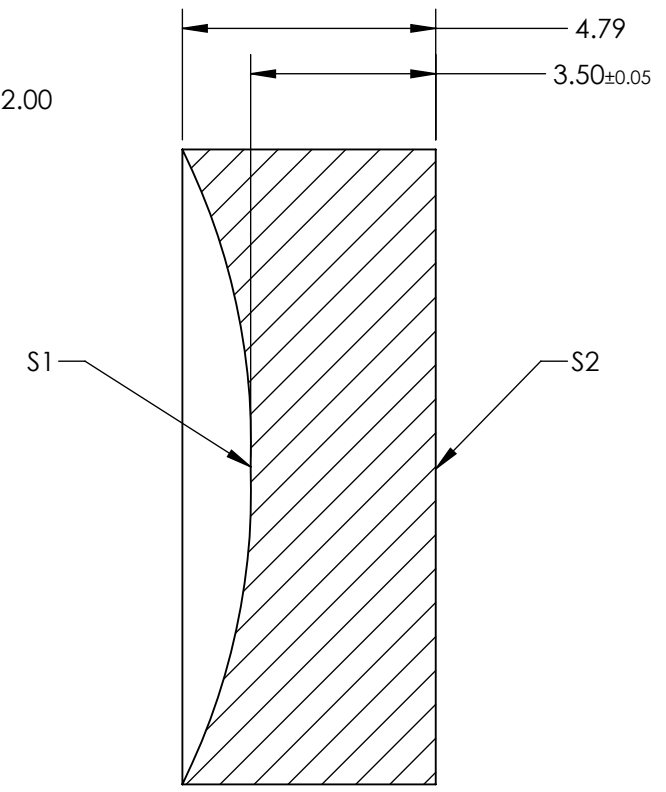
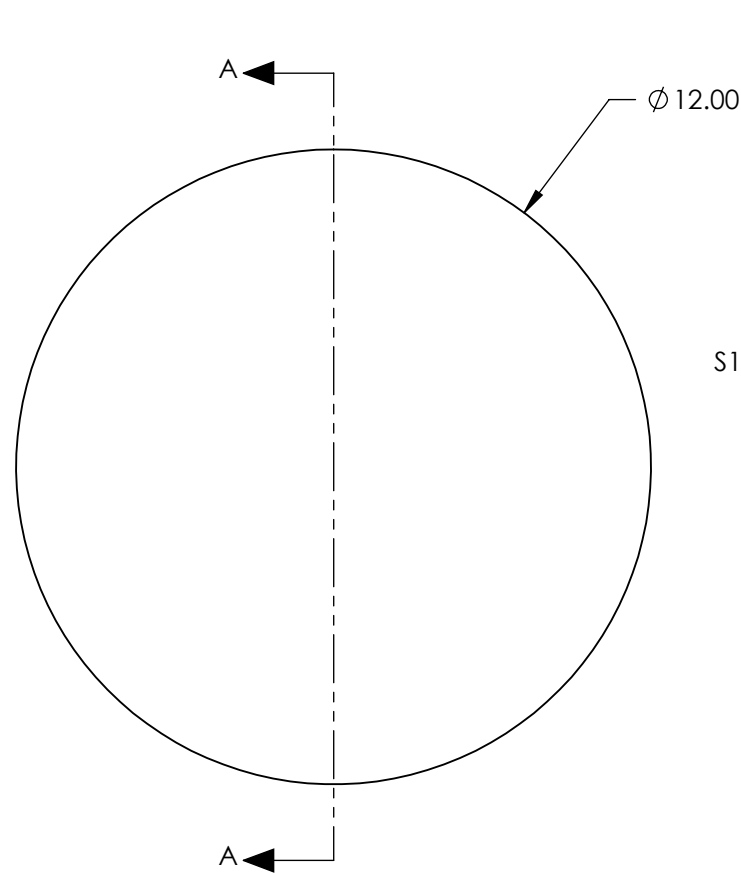
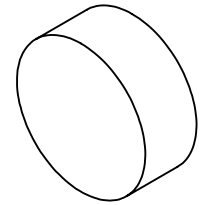
1. SUBSTRATE:
N-SF11

2. COATING (APPLY ACROSS CLEAR APERTURE)

S1 & S2: Rabs <0.25% @ 532nm, Rabs <0.25% @ 1064nm, Ravg <1.0% @ 500 - 1100nm

3. FOCAL LENGTH TOLERANCE: ±1

4. ROHS COMPLIANT



SECTION A-A

**FOR INFORMATION ONLY:
DO NOT MANUFACTURE
PARTS TO THIS DRAWING**

SPECIFICATIONS SUBJECT TO CHANGE WITHOUT NOTICE
DIMENSIONS ARE FOR REFERENCE ONLY

| | S1 | S2 |
|-----------------|---------------------|---------------------|
| SHAPE | CONCAVE | PLANO |
| SURFACE QUALITY | 40-20 | 40-20 |
| CLEAR APERTURE | Ø 11 | Ø 11 |
| BEVEL | PROTECTED AS NEEDED | PROTECTED AS NEEDED |



ALL DIMS IN mm

EO® Edmund Optics®

| | | | |
|--------|------------------------------|-------|----------|
| TITLE | LENS PCV 12 X -24 YAGBBAR TS | | |
| DWG NO | 21313 | SHEET | 15 OF 25 |