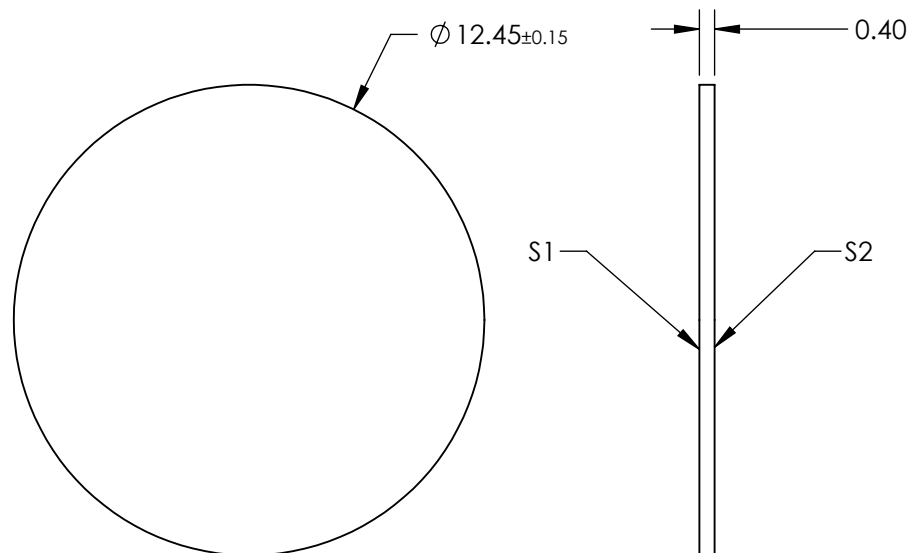
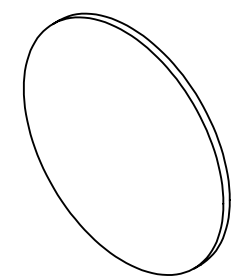


**FOR INFORMATION ONLY:
DO NOT MANUFACTURE
PARTS TO THIS DRAWING**



SPECIFICATIONS SUBJECT TO CHANGE WITHOUT NOTICE
DIMENSIONS ARE FOR REFERENCE ONLY

EO® **Edmund Optics**®

	S1	S2
SHAPE	PLANO	PLANO
CLEAR APERTURE	>90%	>90%
FULL WIDTH HALF MAX (FWHM)	32.85nm	32.85nm
BEVEL	PROTECTED AS NEEDED	PROTECTED AS NEEDED



THIRD ANGLE
PROJECTION

ALL DIMS IN mm

TITLE	Everix Ultra-Thin OD 2 Bandpass Filter, 785nm, 12.5mm Dia.
DWG NO	16838

SHEET
9 OF 14