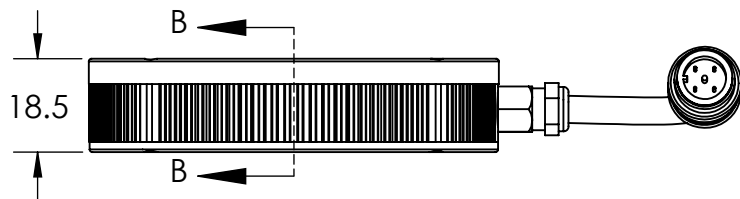
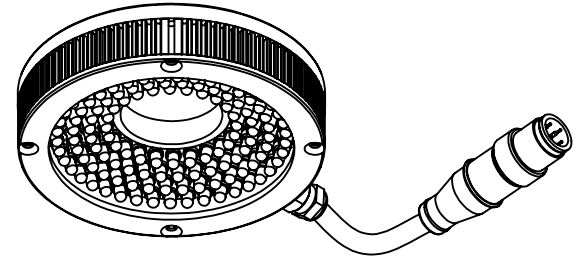
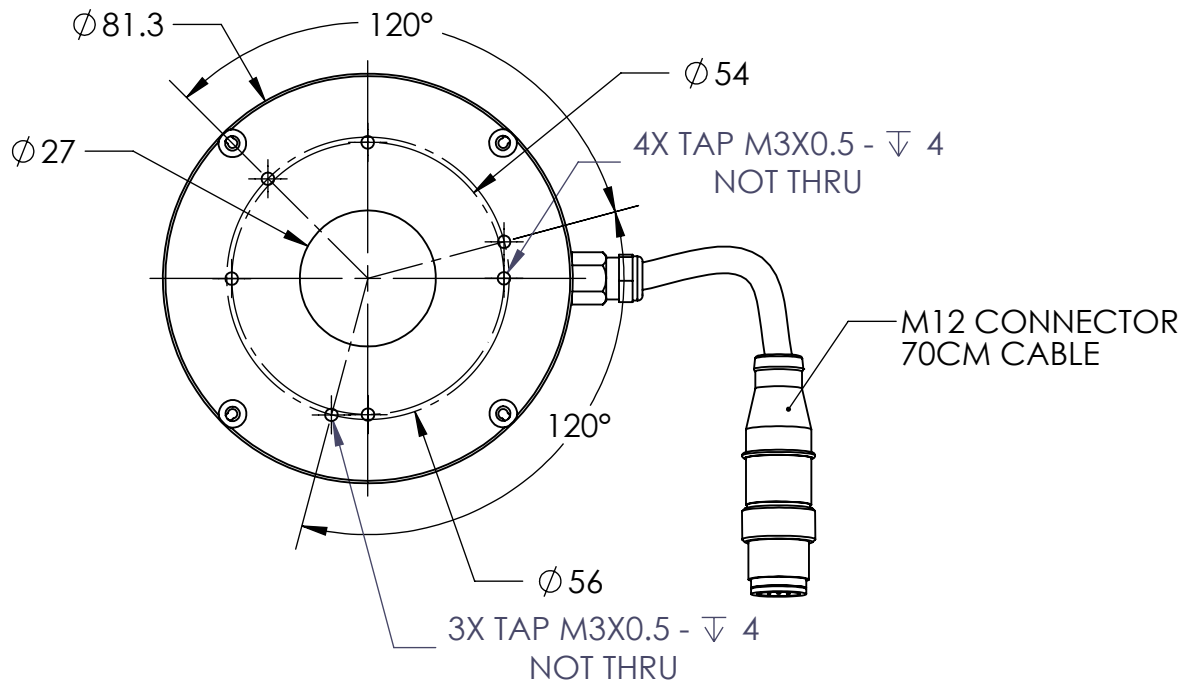
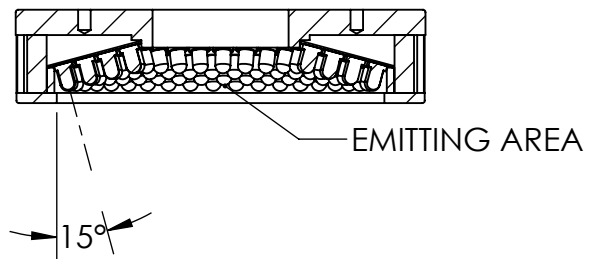


REVISIONS

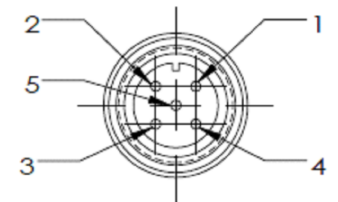
| ZONE | REV. | DESCRIPTIONS | DATE | APP. |
|------|------|--------------|------|------|
| | | | | |



SECTION B-B
SCALE 1 : 1.5



MALE



| | | |
|-------|-------|-----|
| PIN 1 | BROWN | 24V |
| PIN 2 | WHITE | - |
| PIN 3 | BLUE | GND |
| PIN 4 | BLACK | - |
| PIN 5 | GRAY | - |

| | |
|-----------|-----------|
| DESIGN BY | AMMAR |
| CHECK BY | KB TAN |
| DATE | 25/6/2020 |
| MATERIAL | - |
| FINISHING | - |
| QTY | 1 |

| | |
|-----------|-------|
| UNIT: | MM |
| REVISION: | 02 |
| SCALE: | 2 : 3 |

PRODUCT SERIES: MLSW SERIES

| | |
|---------|---------------------|
| TITLE | DRAWING LAYOUT |
| PART NO | MLSW-15-080-4-X-24V |
| DWG NO | - |

| | | |
|--------------|---|---|
| COLOUR: | - | - |
| VOLTAGE: | - | - |
| CURRENT: | - | - |
| POWER: | - | - |
| SHEET 1 OF 1 | | |

