

NOTES:

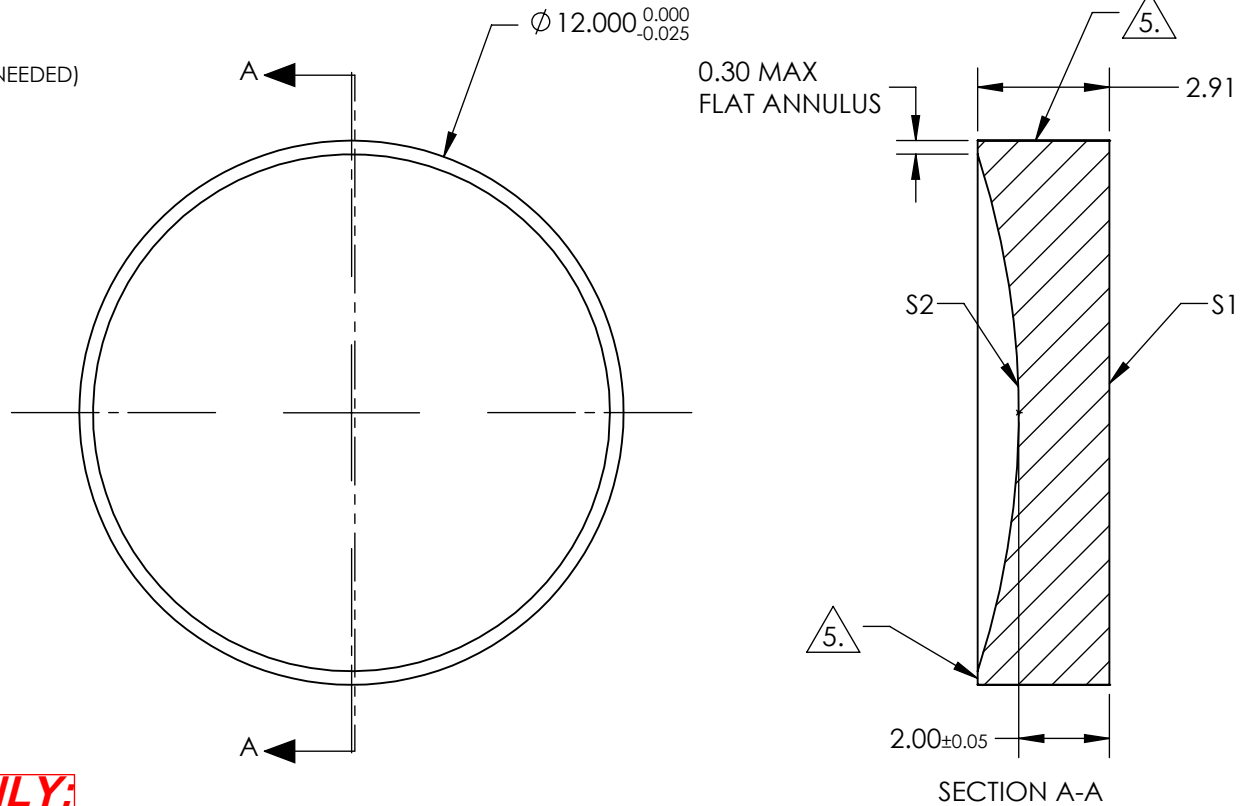
- 1. SUBSTRATE:  
FUSED SILICA
- 2. ROHS COMPLIANT
- 3. COATING (APPLY ACROSS CLEAR APERTURE)

S1 & S2: VIS-NIR (400-1000nm)  
 R(ABS) ≤0.25% @ 880nm  
 R(AVG) ≤1.25% @ 400 - 870nm  
 R(AVG) ≤1.25% @ 890 - 1000nm

4. FINE GRIND SURFACE (ADD INK NOTE AS NEEDED)

5. FINE GRIND SURFACE

6. FOCAL LENGTH (EFL): -40mm  
 BACK FOCAL LENGTH (BFL): -41.37mm



**FOR INFORMATION ONLY:  
 DO NOT MANUFACTURE  
 PARTS TO THIS DRAWING**

SPECIFICATIONS SUBJECT TO CHANGE WITHOUT NOTICE  
 DIMENSIONS ARE FOR REFERENCE ONLY

	S1	S2
SHAPE	CONCAVE	PLANO
RADIUS	-18.33	INFINITY
SURFACE QUALITY	40-20	40-20
CLEAR APERTURE	Ø 11	Ø 11
BEVEL	PROTECTED AS NEEDED	PROTECTED AS NEEDED

THIRD ANGLE PROJECTION

ALL DIMS IN mm

Edmund Optics®

TITLE

12.0mm Dia. x -40 FL, VIS-NIR, UV Plano-Concave Lens

DWG NO

21051

SHEET 1 OF 1