

NOTES:

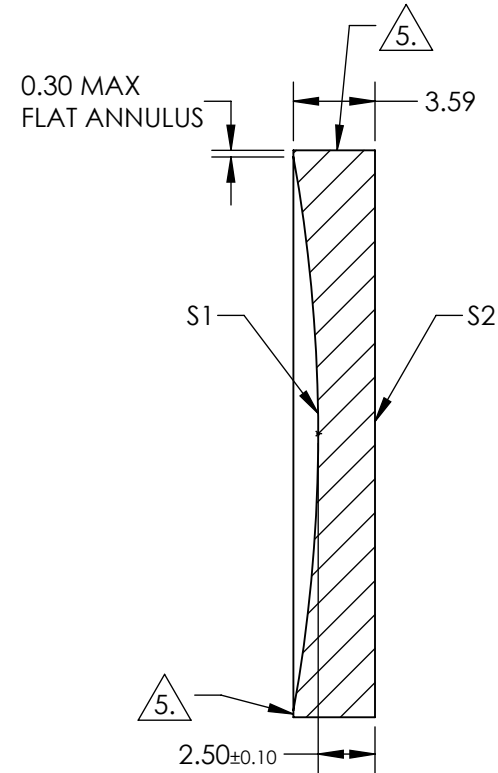
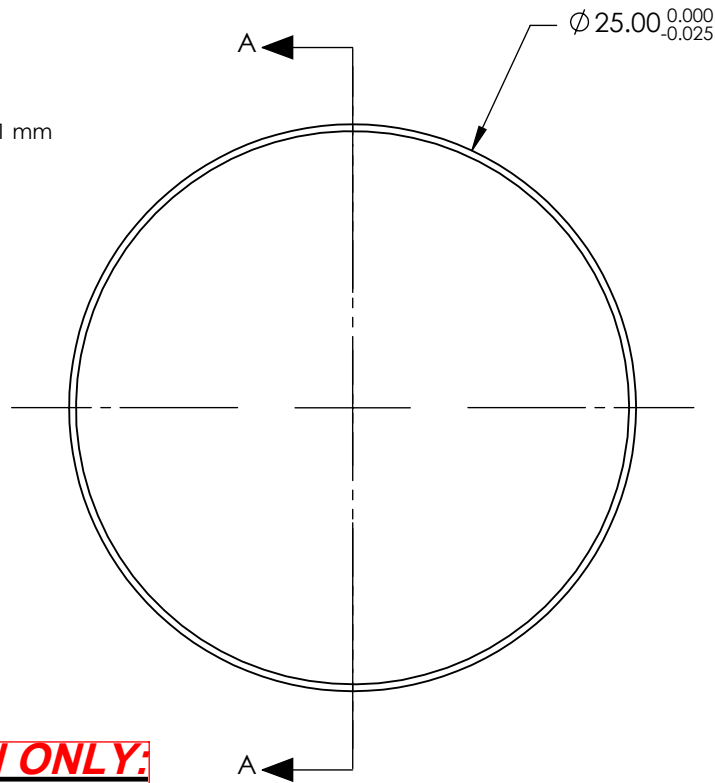
- 1. SUBSTRATE:
FUSED SILICA
- 2. ROHS COMPLIANT
- 3. COATING (APPLY ACROSS CLEAR APERTURE)

S1 & S2: 1064 V-COAT
R(ABS) <0.25% @ 1064nm

4. FINE GRIND SURFACE (ADD INK NOTE AS NEEDED)

5. FINE GRIND SURFACE

6. FOCAL LENGTH (EFL): -150.00 mm
BACK FOCAL LENGTH (BFL): -151.71 mm



SECTION A-A

**FOR INFORMATION ONLY:
DO NOT MANUFACTURE
PARTS TO THIS DRAWING**

SPECIFICATIONS SUBJECT TO CHANGE WITHOUT NOTICE
DIMENSIONS ARE FOR REFERENCE ONLY

	S1	S2
SHAPE	CONCAVE	PLANO
RADIUS	-68.76	INFINITY
SURFACE QUALITY	40-20	40-20
CLEAR APERTURE	Ø 24	Ø 24
BEVEL	PROTECTED AS NEEDED	PROTECTED AS NEEDED

THIRD ANGLE PROJECTION

ALL DIMS IN mm

Edmund Optics®

TITLE

25.0mm Dia. x -150 FL, 1064 V-Coat, UV Plano-Concave Lens

DWG NO

21040

SHEET
1 OF 1