

NOTES:

1. SUBSTRATE: Fused Silica
2. SURFACE S2 TO BE PARALLEL WITH SURFACE S1 TO WITHIN <3 ARCMIN
3. COATING (APPLY ACROSS CLEAR APERTURE)

S1: R(ABS) >99.5% @ 532 & 1064nm @ 45° AOI

DAMAGE THRESHOLD:

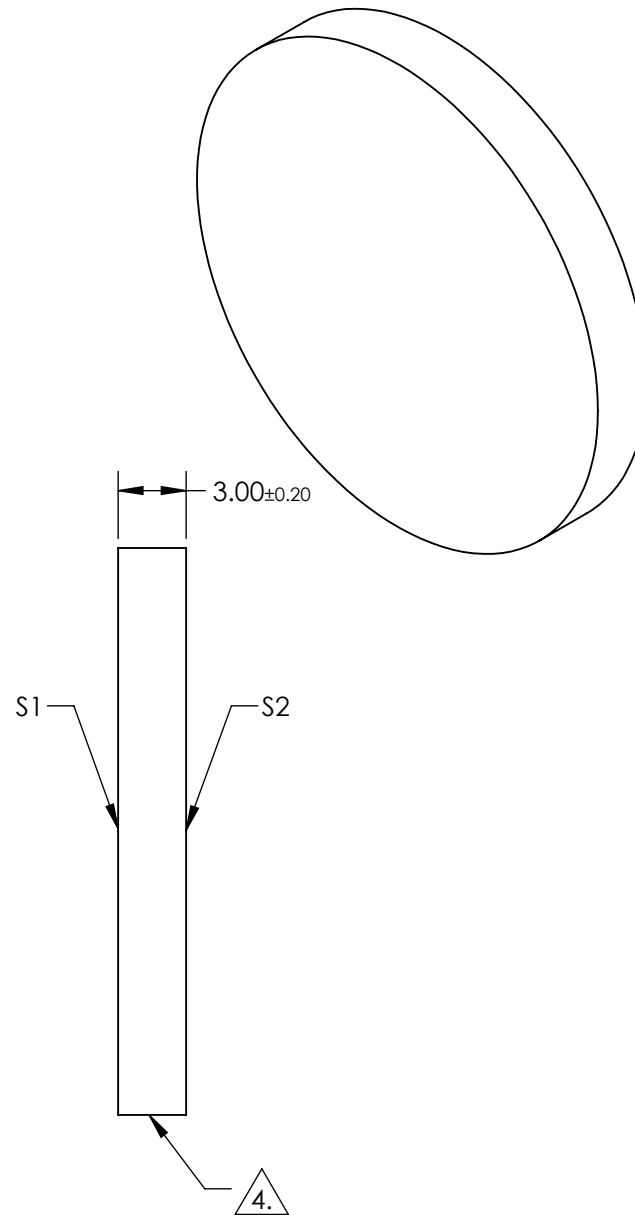
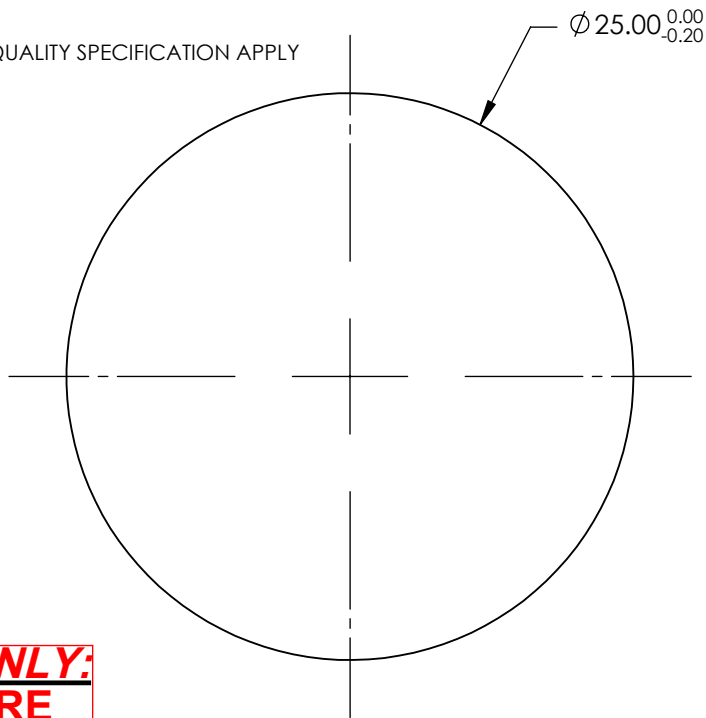
15 J/cm<sup>2</sup> @ 20ns @ 532nm

20 J/cm<sup>2</sup> @ 20ns @ 1064nm

S2: NONE

4. FINE GRIND SURFACE

5. POWER, IRREGULARITY, AND SURFACE QUALITY SPECIFICATION APPLY ACROSS CLEAR APERTURE



**FOR INFORMATION ONLY:  
DO NOT MANUFACTURE  
PARTS TO THIS DRAWING**

SPECIFICATIONS SUBJECT TO CHANGE WITHOUT NOTICE  
DIMENSIONS ARE FOR REFERENCE ONLY

	S1	S2
SHAPE	PLANO	PLANO
SURFACE QUALITY	10-5	NA
CLEAR APERTURE	Ø22.5	NA
BEVEL	PROTECTED AS NEEDED	PROTECTED AS NEEDED

THIRD ANGLE PROJECTION

ALL DIMS IN

mm



**Edmund Optics®**

TITLE

25mm Dia. x 3mm 532/1064nm, Dual Band Laser Mirror

DWG NO

20216

SHEET 1 OF 1