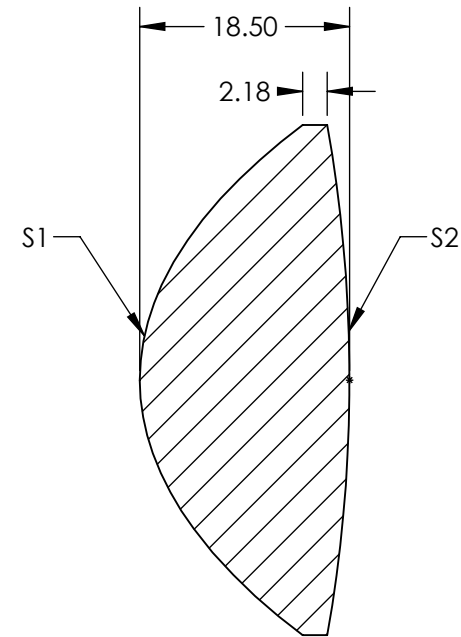
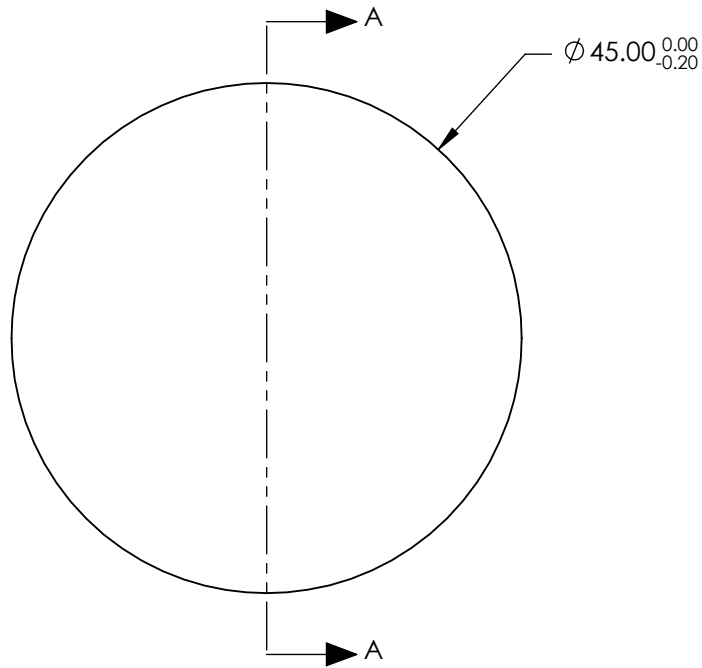


NOTES:

1. SUBSTRATE:  
H-K51
2. COATING (APPLY ACROSS CLEAR APERTURE)

S1 & S2: MgF2 (400-700nm)  
R(AVG) ≤ 1.75% @ 400 - 700nm


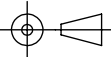
3. CENTERING: ≤30 ARCMIN



SECTION A-A

**FOR INFORMATION ONLY:  
DO NOT MANUFACTURE  
PARTS TO THIS DRAWING**

SPECIFICATIONS SUBJECT TO CHANGE WITHOUT NOTICE  
DIMENSIONS ARE FOR REFERENCE ONLY

|                 |                     |                     |   |       |   |  |                 |
|-----------------|---------------------|---------------------|---|-------|---|--|-----------------|
|                 | S1                  | S2                  | EFL @ 587.6nm   | 32.00 |  <b>Edmund Optics®</b> |  |                 |
|                 |                     |                     | BFL @ 587.6nm   | 20.9  |   |  |                 |
| SHAPE           | CONVEX              | CONVEX              |  |       | TITLE   | 45mm Dia. x 32mm FL, MgF2 Coated,<br>Aspheric Condenser Lens |                 |
| SURFACE QUALITY | 80-50 (typical)     | 80-50 (typical)     |   |       | DWG NO  | 21202  | SHEET<br>1 OF 1 |
| CLEAR APERTURE  | Ø 40.5              | Ø 40.5              |   |       | ALL DIMS IN   | mm   |                 |
| BEVEL           | PROTECTED AS NEEDED | PROTECTED AS NEEDED |   |       |   |  |                 |