

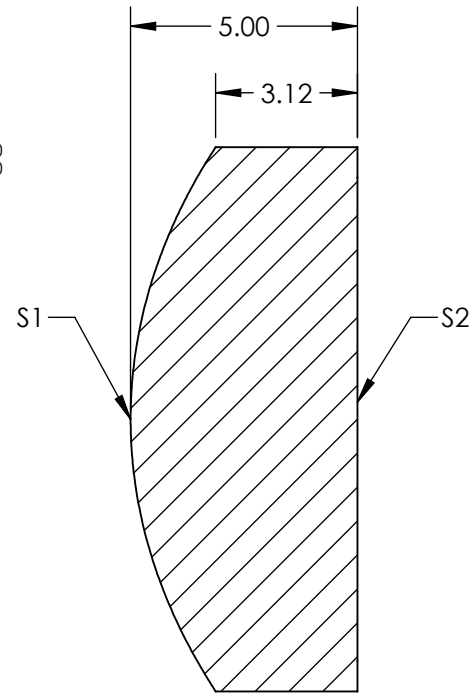
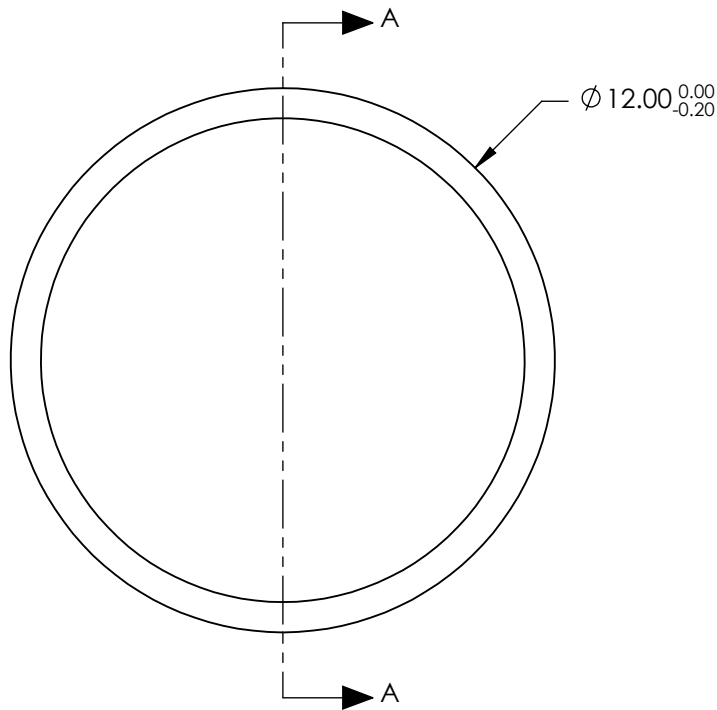
NOTES:

1. SUBSTRATE:
H-K51

2. COATING (APPLY ACROSS CLEAR APERTURE)

S1 & S2: MgF2 (400-700nm)
R(AVG) ≤ 1.75% @ 400 - 700nm

3. CENTERING: ≤30 ARCMIN



SECTION A-A

**FOR INFORMATION ONLY:
DO NOT MANUFACTURE
PARTS TO THIS DRAWING**

SPECIFICATIONS SUBJECT TO CHANGE WITHOUT NOTICE
DIMENSIONS ARE FOR REFERENCE ONLY

	S1	S2
SHAPE	CONVEX	PLANO
SURFACE QUALITY	80-50 (typical)	80-50 (typical)
CLEAR APERTURE	Ø 10.8	Ø 10.8
BEVEL	PROTECTED AS NEEDED	PROTECTED AS NEEDED

EFL @ 587.6nm	19.00
BFL @ 587.6nm	15.7
THIRD ANGLE PROJECTION	
ALL DIMS IN	mm

Edmund Optics®

TITLE 12mm Dia. x 19mm FL, MgF2 Coated,
Aspheric Condenser Lens

DWG NO 21194

SHEET
1 OF 1