

NOTES:

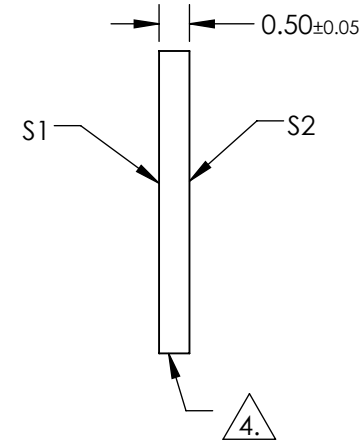
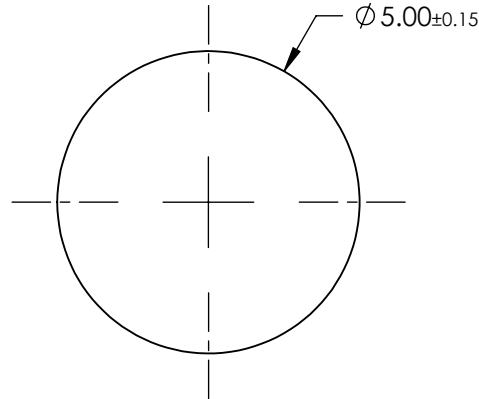
1. SUBSTRATE:
Sapphire (Al₂O₃)
2. SURFACE S2 TO BE PARALLEL WITH SURFACE S1 TO WITHIN ≤ 3.5 ARCMIN
3. COATING (APPLY ACROSS CLEAR APERTURE)

S1 & S2: R(AVG) ≤ 1.75% @ 400 - 700nm

4. FINE GRIND SURFACE

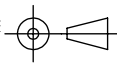
5. ROHS COMPLIANT

**FOR INFORMATION ONLY:
DO NOT MANUFACTURE
PARTS TO THIS DRAWING**



SPECIFICATIONS SUBJECT TO CHANGE WITHOUT NOTICE
DIMENSIONS ARE FOR REFERENCE ONLY

	S1	S2
SHAPE	PLANO	PLANO
CLEAR APERTURE	$\varnothing 4.50$	$\varnothing 4.50$
SURFACE FLATNESS	2λ	2λ
SURFACE QUALITY	80-50	80-50
BIREFRINGENCE ($n_o - n_e$)	0.008	0.008
BEVEL	PROTECTIVE AS NEEDED	PROTECTIVE AS NEEDED

THIRD ANGLE PROJECTION 

ALL DIMS IN mm

 **Edmund Optics®**

TITLE: 5mm Dia., 0.5mm Thick, MgF2 AR Coated Sapphire Window

DWG NO: 20623

SHEET 1 OF 1