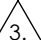
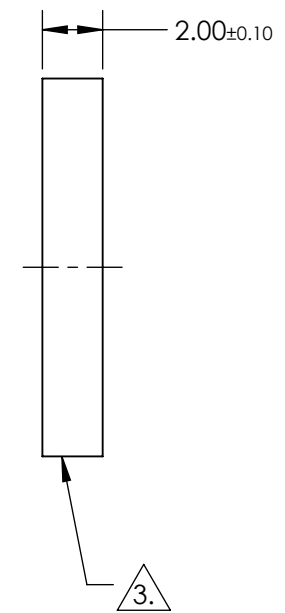
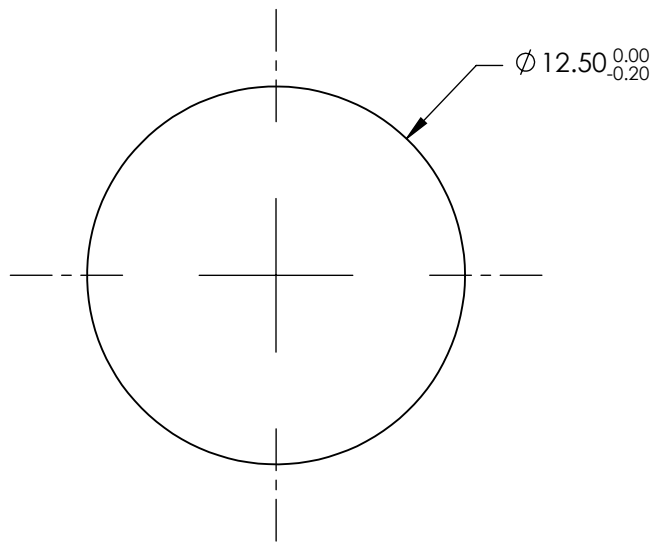
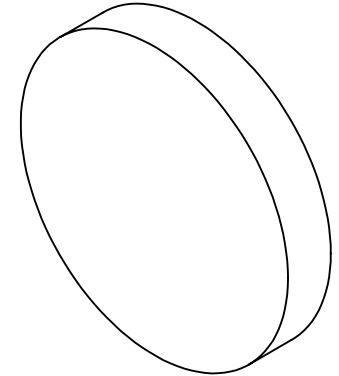


NOTES:

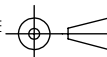
1. SUBSTRATE: XP42 LAMINATED BETWEEN GLASS
2. CONSTRUCTION: LAMINATED GLASS POLARIZING FILM
3.  EDGE CUT
4. EXTINCTION RATIO: 9000:1
5. OPERATING TEMPERATURE (°C): -10 TO +55
6. WAVELENGTH RANGE (nm): 425 - 700
7. ROHS COMPLIANT



**FOR INFORMATION ONLY:
DO NOT MANUFACTURE
PARTS TO THIS DRAWING**

SPECIFICATIONS SUBJECT TO CHANGE WITHOUT NOTICE
DIMENSIONS ARE FOR REFERENCE ONLY



THIRD ANGLE PROJECTION 		TITLE	12.5mm Dia., VIS Coated, Linear Glass Polarizer (XP42)	
ALL DIMS IN	mm	DWG NO	19647	SHEET 1 OF 1