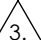
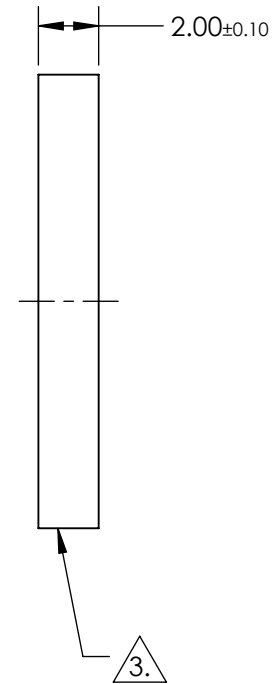
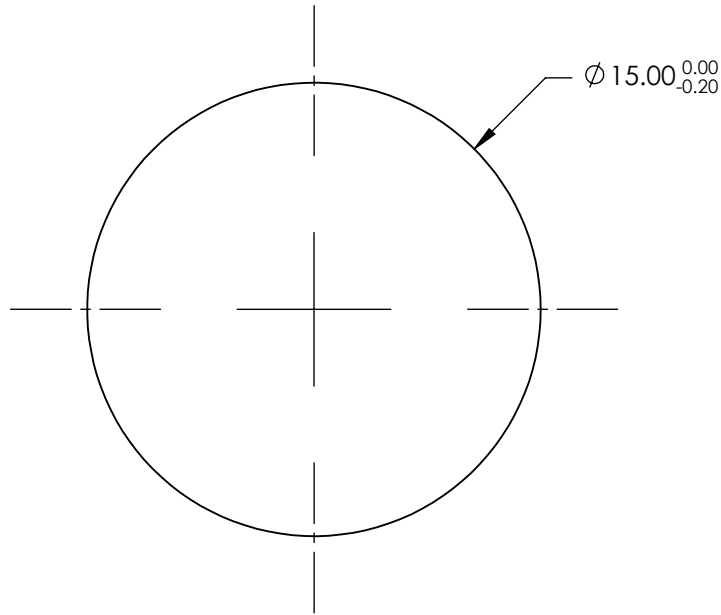
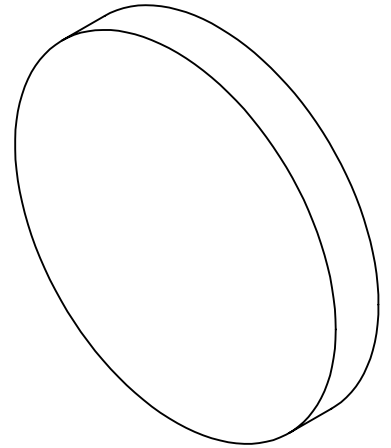


NOTES:

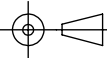
1. SUBSTRATE: XP42 LAMINATED BETWEEN GLASS
2. CONSTRUCTION: LAMINATED GLASS POLARIZING FILM
3.  EDGE CUT
4. EXTINCTION RATIO: 9000:1
5. OPERATING TEMPERATURE (°C): -10 TO +55
6. WAVELENGTH RANGE (nm): 400 - 700
7. ROHS COMPLIANT



**FOR INFORMATION ONLY:
DO NOT MANUFACTURE
PARTS TO THIS DRAWING**

SPECIFICATIONS SUBJECT TO CHANGE WITHOUT NOTICE
DIMENSIONS ARE FOR REFERENCE ONLY

 **Edmund Optics®**

THIRD ANGLE PROJECTION 		TITLE	15mm Dia., Uncoated, Linear Glass Polarizer (XP42)	
ALL DIMS IN	mm	DWG NO	19642	SHEET 1 OF 1