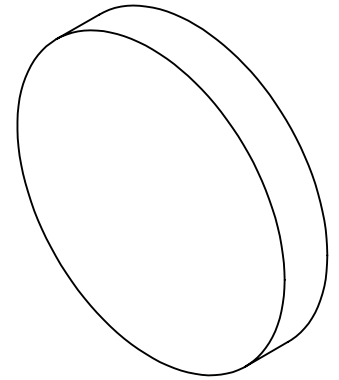
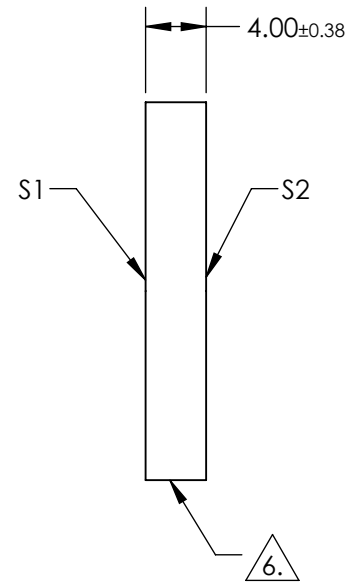
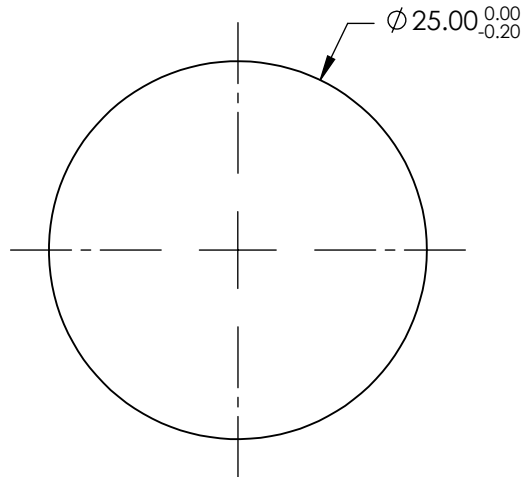


NOTES:

1. SUBSTRATE: FUSED SILICA (CORNING 7980)
 2. ROHS: COMPLIANT
 3. SURFACE S2 TO BE PARALLEL TO SURFACE S1 WITHIN <5 ARCMIN
 4. COATING(APPLY ACROSS CLEAR APERTURE)
- S1 & S2: NONE
5. TRANSMITTED WAVEFRONT DISTORTION: $\leq 1\lambda$

6. FINE GRIND SURFACE



**FOR INFORMATION ONLY:
DO NOT MANUFACTURE
PARTS TO THIS DRAWING**

SPECIFICATIONS SUBJECT TO CHANGE WITHOUT NOTICE
DIMENSIONS ARE FOR REFERENCE ONLY

	S1	S2
SHAPE	PLANO	PLANO
SURFACE QUALITY	60-40	60-40
CLEAR APERTURE	Ø 22.50	Ø 22.50
BEVEL	PROTECTED AS NEEDED	PROTECTED AS NEEDED

THIRD ANGLE PROJECTION

ALL DIMS IN

mm

EO® Edmund Optics®

TITLE

25mm Dia. 4mm Thick Uncoated, 1λ Fused Silica Window

DWG NO

19839

SHEET
1 OF 1