

NOTES:

1. SUBSTRATE: SODA LIME FLOAT GLASS
2. COATING (APPLY ACROSS COATING APERTURE)

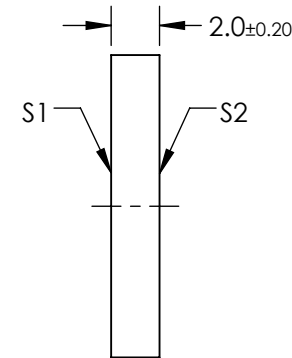
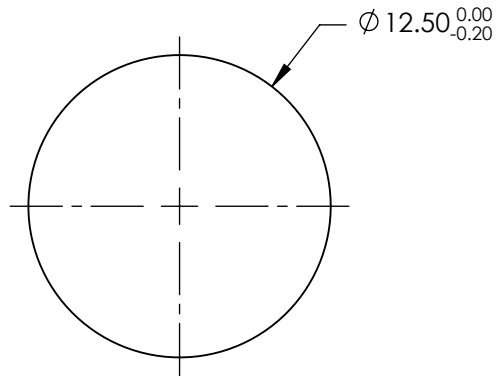
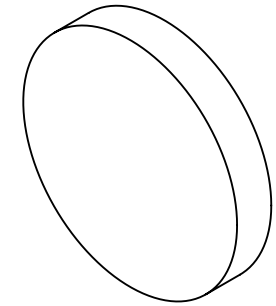
S1 & S2:

EXTINCTION RATIO: $T_p/T_s > 100000:1$ FROM 900 - 1200nm
 TRANSMISSION: $TP > 85\%$ FROM 900 - 1200nm

EXTINCTION RATIO: $T_p/T_s > 10000:1$ FROM 750 - 1400nm
 TRANSMISSION: $TP > 83\%$ FROM 750 - 1400nm

EXTINCTION RATIO: $T_p/T_s > 1000:1$ FROM 650 - 1700nm
 TRANSMISSION: $TP > 80\%$ FROM 650 - 1700nm

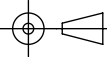
3. BEAM DEVIATION: < 1 arcmin
4. WAVEFRONT DISTORTION: $< 1/4$ WAVE @ 633nm
5. RoHS COMPLIANT



**FOR INFORMATION ONLY:
 DO NOT MANUFACTURE
 PARTS TO THIS DRAWING**

SPECIFICATIONS SUBJECT TO CHANGE WITHOUT NOTICE
 DIMENSIONS ARE FOR REFERENCE ONLY

EO® Edmund Optics®

THIRD ANGLE PROJECTION 		TITLE	Ø12.5mm, HIGH CONTRAST IR POLARIZER	
ALL DIMS IN	mm	DWG NO	36654	SHEET 1 OF 1