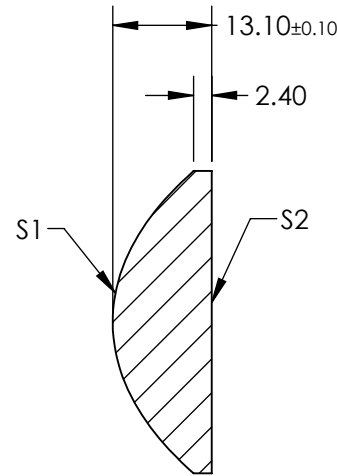
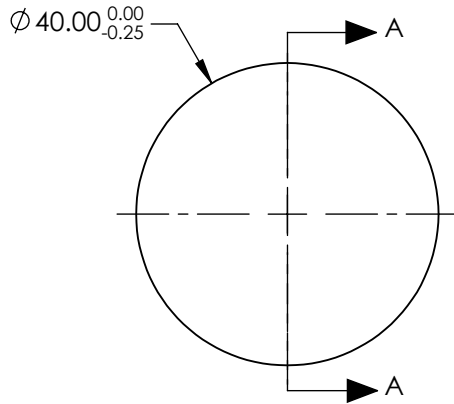


**NOTES:**

1. SUBSTRATE: N-SF6
2. COATING (APPLY ACROSS CLEAR APERTURE)  
S1 & S2: SWIR+ (900-1700nm)  
R(AVG) <0.5% @ 900 - 1700nm @ ±30° AOI  
R(ABS) <1% @ 900 - 1700nm @ ±30° AOI
3. EDGES: FINE GROUND
4. CENTERING: <1 ARCMIN
5. ASPHERE FIGURE ERROR: 0.25µm RMS

6. ASPHERIC SURFACE DESCRIBED BY (REF. COEFFICIENT TABLE)

$$Z_{ASPH}(Y) = \frac{(1/RADIUS)^*Y^2}{1 + \sqrt{1 - (1+k)*(1/RADIUS)^2*Y^2}} + D*Y^2 + E*Y^4 + F*Y^6 + G*Y^8 + H*Y^{10} + J*Y^{12} + L*Y^{14}$$



SECTION A-A

COEFFICIENT TABLE 6.	
COEFFICIENT	S1
SEMI-DIAMETER	1.500000E+01
(1/RADIUS)	0.049677099
k	-1.6573140
D	0.0000000E+00
E	1.5750681E-05
F	-8.1820241E-09
G	0.0000000E+00
H	0.0000000E+00
J	0.0000000E+00
L	0.0000000E+00

**SPECIFICATIONS SUBJECT TO CHANGE WITHOUT NOTICE DIMENSIONS ARE FOR REFERENCE ONLY**

	S1	S2	EFL @ 587.6nm	25	Edmund Optics®	40mm Dia., 0.80 Numerical Aperture, 900-1700nm Coated, Inked, High Precision Aspheric Lens	
SHAPE	CONVEX	PLANO	BFL @ 587.6nm	17.74			
RADIUS	20.130	INFINITY	THIRD ANGLE PROJECTION		TITLE		
SURFACE QUALITY	40-20	40-20	ALL DIMS IN	mm	DWG NO	17010INK	SHEET 1 OF 1
CLEAR APERTURE	Ø36	Ø36					
BEVEL MAX	PROTECTIVE AS NEEDED	PROTECTIVE AS NEEDED					

**FOR INFORMATION ONLY:  
DO NOT MANUFACTURE  
PARTS TO THIS DRAWING**