

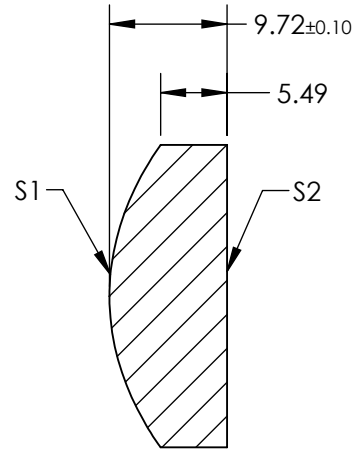
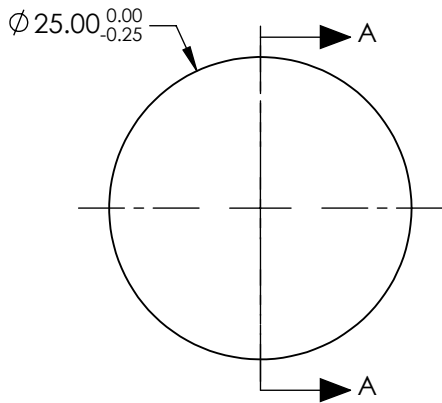
NOTES:

1. SUBSTRATE: N-BK7
2. COATING (APPLY ACROSS CLEAR APERTURE)
 S1 & S2: VIS-EXT+ (350-700nm)
 R(AVG) <0.5% @ 350 - 700nm @ ±30° AOI
 R(ABS) <1.5% @ 350 - 700nm @ ±30° AOI
3. EDGES: FINE GROUND
4. CENTERING: <1 ARCMIN
5. ASPHERE FIGURE ERROR: 0.25µm RMS

FOR INFORMATION ONLY:
DO NOT MANUFACTURE
PARTS TO THIS DRAWING

△ ASPHERIC SURFACE DESCRIBED BY (REF. COEFFICIENT TABLE)

$$Z_{ASPH}(Y) = \frac{(\frac{1}{RADIUS}) * Y^2}{1 + \sqrt{1 - (1+k) * (\frac{1}{RADIUS})^2 * Y^2}} + D * Y^2 + E * Y^4 + F * Y^6 + G * Y^8 + H * Y^{10} + J * Y^{12} + L * Y^{14}$$



SECTION A-A

COEFFICIENT TABLE △

COEFFICIENT	S1
SEMI-DIAMETER	1.000000E+01
(1/RADIUS)	5.159959E-02
k	-6.698934E-01
D	0.000000E+00
E	1.876737E-06
F	8.930244E-10
G	0.000000E+00
H	0.000000E+00
J	0.000000E+00
L	0.000000E+00

SPECIFICATIONS SUBJECT TO CHANGE WITHOUT NOTICE DIMENSIONS ARE FOR REFERENCE ONLY

	S1	S2	EFL @ 587.6nm	37.5	Edmund Optics®	
SHAPE	CONVEX	PLANO	BFL @ 587.6nm	31.09		
RADIUS	19.380	INFINITY			25mm Dia., 0.33 Numerical Aperture, 350-700nm Coated, Inked, High Precision Aspheric Lens	
SURFACE QUALITY	40-20	40-20	THIRD ANGLE PROJECTION			
CLEAR APERTURE	Ø22.5	Ø22.5	TITLE			
BEVEL MAX	PROTECTIVE AS NEEDED	PROTECTIVE AS NEEDED	ALL DIMS IN	mm	DWG NO	
					16958INK	SHEET 1 OF 1