

NOTES:

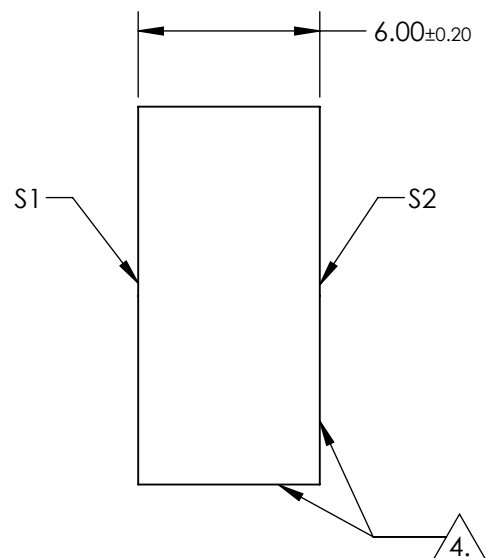
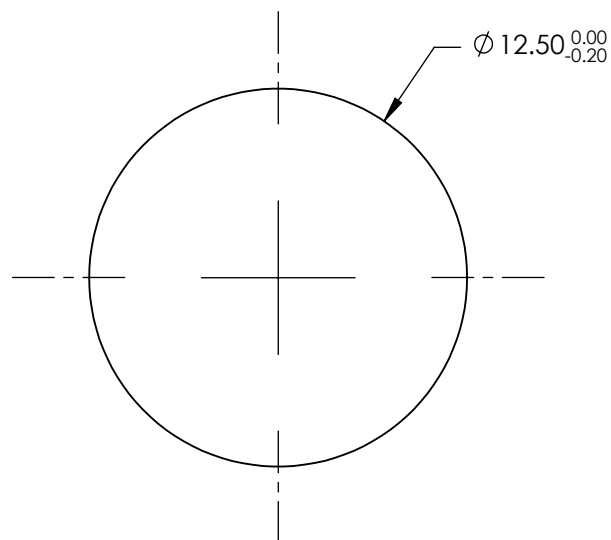
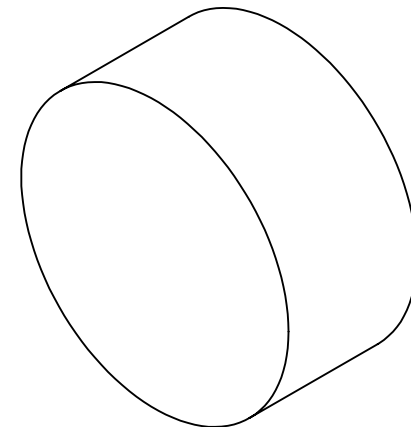
1. SUBSTRATE: FUSED SILICA
2. SURFACE S2 TO BE PARALLEL WITH SURFACE S1 TO WITHIN <3 ARCMIN
3. COATING (APPLY ACROSS CLEAR APERTURE)

S1:R(AVG) ≥92% @ 190 - 250nm  
 R(AVG) ≥83% @ 250 - 900nm  
 S2: GROUND

4. S2 & EDGES FINE GRIND SURFACE

5. POWER, IRREGULARITY, AND SURFACE QUALITY SPECIFICATION APPLY ACROSS CLEAR APERTURE

6. ROHS COMPLIANT



**FOR INFORMATION ONLY:  
 DO NOT MANUFACTURE  
 PARTS TO THIS DRAWING**

SPECIFICATIONS SUBJECT TO CHANGE WITHOUT NOTICE  
 DIMENSIONS ARE FOR REFERENCE ONLY

	S1	S2
SHAPE	PLANO	PLANO
SURFACE QUALITY	10-5	N/A
SURFACE FLATNESS	λ/10	N/A
COATING TYPE	METAL	N/A
COATING	ENHANCED ALUMINUM (190-900nm)	N/A
BEVEL	PROTECTED AS NEEDED	PROTECTED AS NEEDED



ALL DIMS IN mm

**EO**® Edmund Optics®

TITLE

12.5mm Dia., Enhanced Deep UV (DUV)  
 Mirror

DWG NO

18741

SHEET  
 1 OF 1