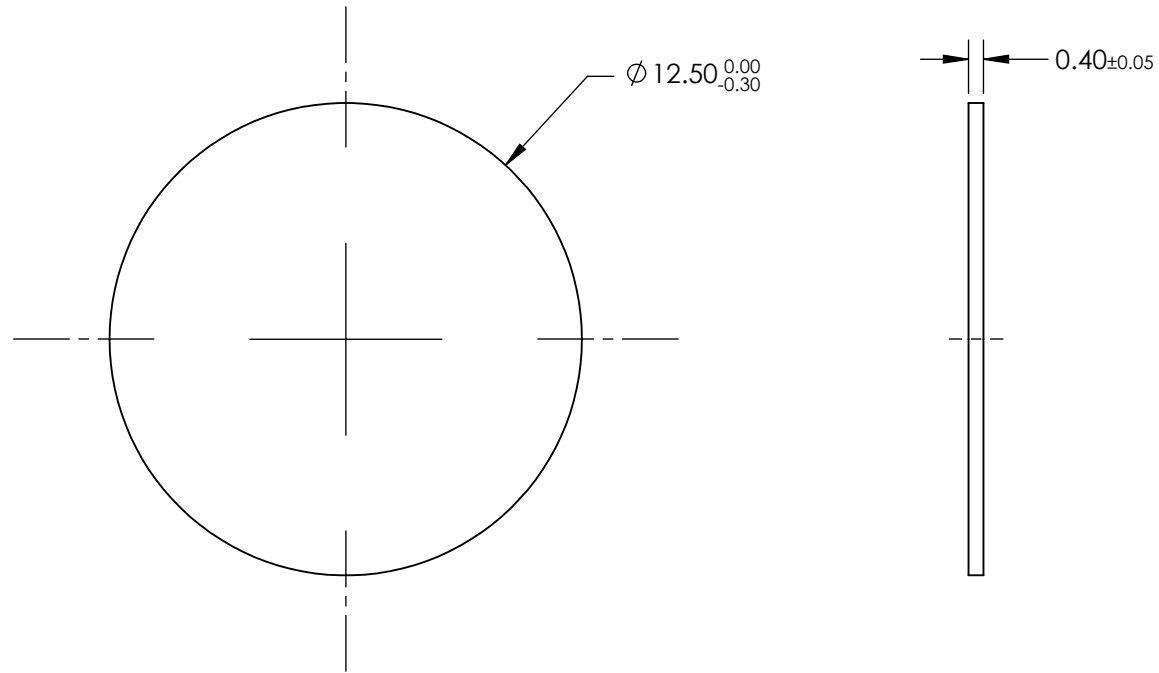


NOTES:

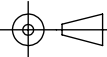
1. SUBSTRATE: POLYMER FILM XP40HT-40
2. TEMPERATURE RESISTANCE (°C X HOURS):
 - HEAT: 100 X 1,000
 - COLD: -40 X 1,000
 - HUMIDITY: 80 X 90% RH X 1,000
3. WAVELENGTH RANGE: 400 - 700 nm
4. POLARIZATION EFFICIENCY (%): >99.5
5. TRANSMISSION (%):
 - SINGLE: 40 ±2
 - PARALLEL: 32.2
 - CROSSED: <0.005
6. EXTINCTION RATIO: 5000:1
7. ROHS COMPLIANT



**FOR INFORMATION ONLY:
DO NOT MANUFACTURE
PARTS TO THIS DRAWING**

SPECIFICATIONS SUBJECT TO CHANGE WITHOUT NOTICE
DIMENSIONS ARE FOR REFERENCE ONLY

EO® Edmund Optics®

THIRD ANGLE PROJECTION 		TITLE	12.5mm Dia. High-Temperature Linear Polarizing Film (XP40HT-40)	
ALL DIMS IN	mm	DWG NO	19035	SHEET 1 OF 1