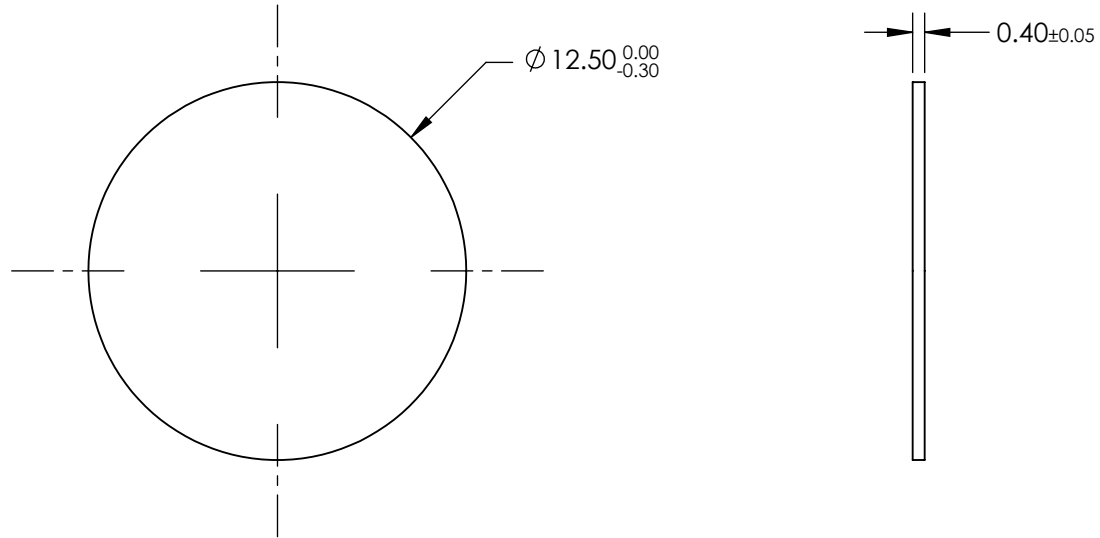


NOTES:

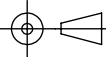
1. SUBSTRATE: POLYMER FILM XP44-40
2. OPERATING TEMPERATURE: -40 TO +80 °C
3. WAVELENGTH RANGE: 400 - 700 nm
4. EXTINCTION RATIO: 2000:1
5. POLARIZATION EFFICIENCY (%): >99.95
6. TRANSMISSION (%):  
 SINGLE: 44.2 ±1.5  
 PARALLEL: 38.6  
 CROSSED: <0.02
7. ROHS COMPLIANT



SPECIFICATIONS SUBJECT TO CHANGE WITHOUT NOTICE  
 DIMENSIONS ARE FOR REFERENCE ONLY

**FOR INFORMATION ONLY:  
 DO NOT MANUFACTURE  
 PARTS TO THIS DRAWING**

**EO**® Edmund Optics®

|  |    |        |  |              |
|--|----|--------|--|--------------|
| THIRD ANGLE PROJECTION  |    | TITLE  | 12.5mm Dia. High Transmission Linear Polarizing Film (XP44-40) |              |
| ALL DIMS IN  | mm | DWG NO | 19023  | SHEET 1 OF 1 |