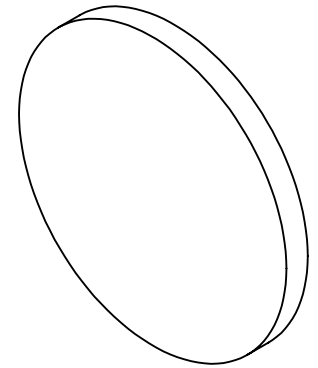
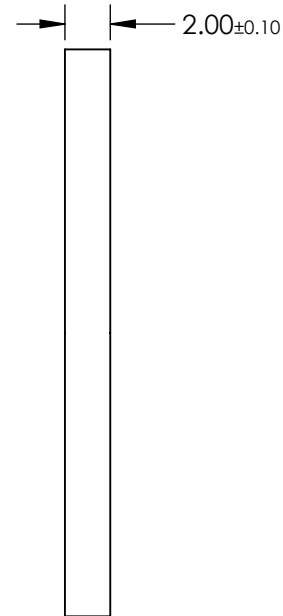
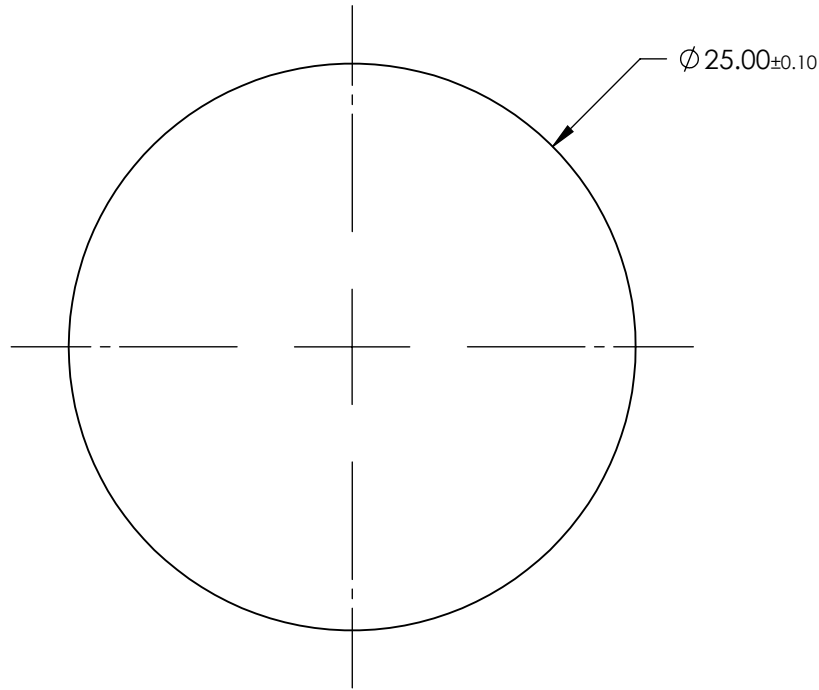


NOTES:

1. MATERIAL: UV Grade Fused Silica
2. TRANSMITTED WAVEFRONT ERROR:  $< \lambda/4$



|  | VALUE                       |
|--|-----------------------------|
| CENTER WAVELENGTH (CWL)                        | 520.00 .00 nm               |
| TRANSMISSION BANDWIDTH (MINIMUM)               | 36.00 nm                    |
| FULL WIDTH HALF MAX (TYPICAL)                  | 41.00 .00 nm                |
| AVERAGE TRANSMISSION OVER BANDWIDTH (MINIMUM)  | 93 %                        |
| BLOCKING WAVELENGTH RANGE                      | 250 - 1100 nm               |
| OD6 BLOCKING RANGE < 3% FROM EDGE OF BANDWIDTH | 250 - 488 & 560 - 700       |
| CLEAR APERTURE (mm)                            | Ø 22.50                     |
| SURFACE QUALITY                                | 60-40                       |
| COATING TYPE                                   | HARD COATED                 |
| DURABILITY                                     | MIL-C-48497A, SECTION 3.4.1 |
| ENVIRONMENTAL                                  | MIL-STD-810F, SECTION 507.4 |

**FOR INFORMATION ONLY:  
DO NOT MANUFACTURE  
PARTS TO THIS DRAWING**

SPECIFICATIONS SUBJECT TO CHANGE WITHOUT NOTICE  
DIMENSIONS ARE FOR REFERENCE ONLY

**EO**® Edmund Optics®

|                        |    |        |  |              |
|------------------------|----|--------|--|--------------|
| THIRD ANGLE PROJECTION |    | TITLE  | 520nm CWL, 25mm Dia, 36nm Bandwidth, Unmounted OD 6 Fluorescence Bandpass Filter |              |
| ALL DIMS IN            | mm | DWG NO | 18390  | SHEET 1 OF 1 |