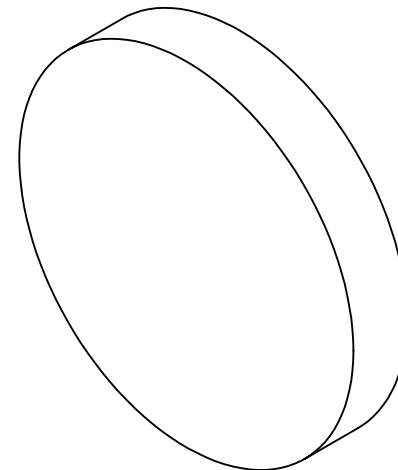
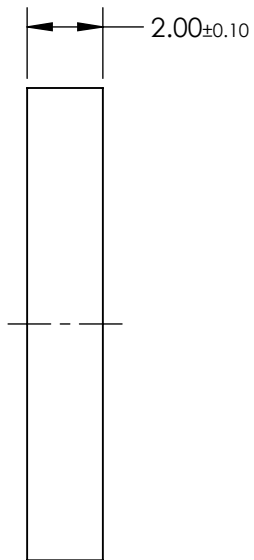
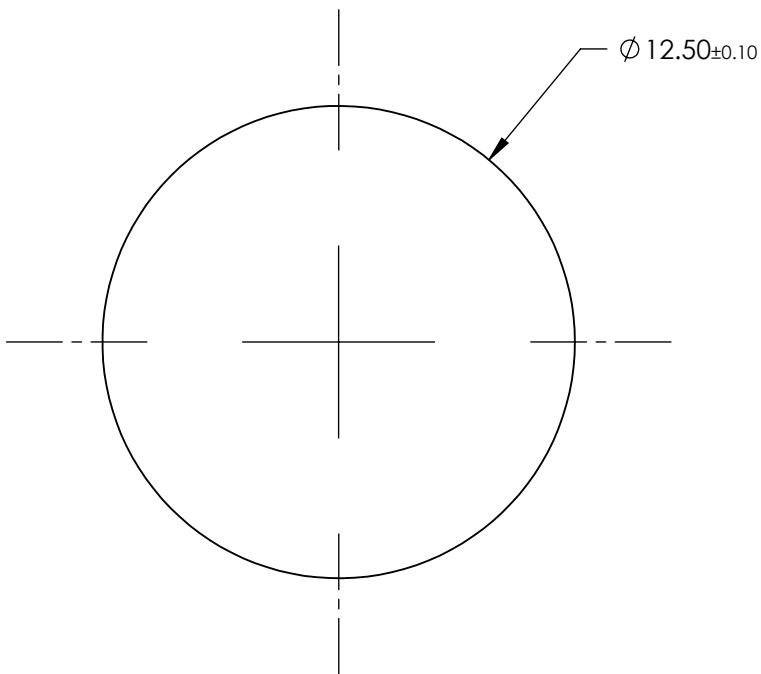


NOTES:

1. MATERIAL: UV Grade Fused Silica
2. TRANSMITTED WAVEFRONT ERROR: $< \lambda/4$

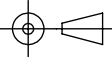


	VALUE
CENTER WAVELENGTH (CWL)	692.00 nm
TRANSMISSION BANDWIDTH (MINIMUM)	40.00 nm
FULL WIDTH HALF MAX (TYPICAL)	47.00 nm
AVERAGE TRANSMISSION OVER BANDWIDTH (MINIMUM)	93 %
BLOCKING WAVELENGTH RANGE	250 - 1100 nm
OD6 BLOCKING RANGE < 3% FROM EDGE OF BANDWIDTH	520 - 662 & 733 - 900
CLEAR APERTURE (mm)	Ø 11.25
SURFACE QUALITY	60-40
COATING TYPE	HARD COATED
DURABILITY	MIL-C-48497A, SECTION 3.4.1
ENVIRONMENTAL	MIL-STD-810F, SECTION 507.4

**FOR INFORMATION ONLY:
DO NOT MANUFACTURE
PARTS TO THIS DRAWING**

SPECIFICATIONS SUBJECT TO CHANGE WITHOUT NOTICE
DIMENSIONS ARE FOR REFERENCE ONLY

EO® **Edmund Optics**®

THIRD ANGLE PROJECTION 	TITLE	692nm CWL, 12.5mm Dia, 40nm Bandwidth, Unmounted OD 6 Fluorescence Bandpass Filter	
	ALL DIMS IN	mm	DWG NO 18382