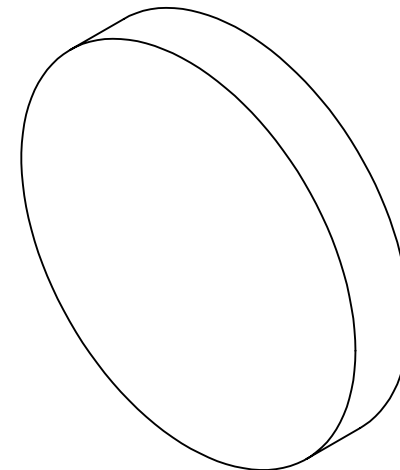
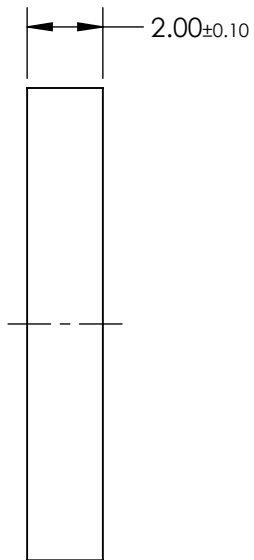
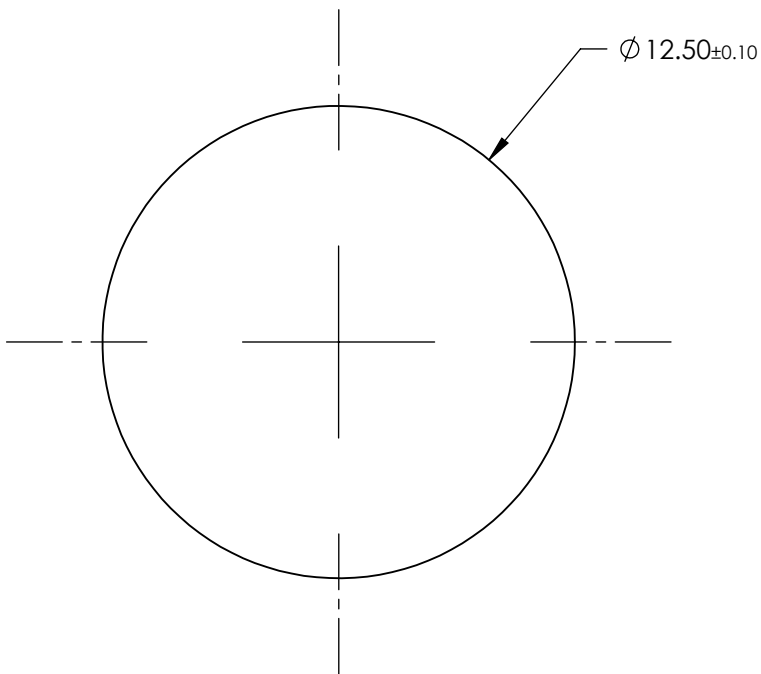


NOTES:

1. MATERIAL: UV Grade Fused Silica
2. TRANSMITTED WAVEFRONT ERROR:  $< \lambda/4$

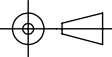


|                                                | VALUE                       |
|------------------------------------------------|-----------------------------|
| CENTER WAVELENGTH (CWL)                        | 676.00 nm                   |
| TRANSMISSION BANDWIDTH (MINIMUM)               | 29.00 nm                    |
| FULL WIDTH HALF MAX (TYPICAL)                  | 36.00 nm                    |
| AVERAGE TRANSMISSION OVER BANDWIDTH (MINIMUM)  | 93 %                        |
| BLOCKING WAVELENGTH RANGE                      | 250 - 1100 nm               |
| OD6 BLOCKING RANGE < 3% FROM EDGE OF BANDWIDTH | 250 - 650                   |
| CLEAR APERTURE (mm)                            | Ø 11.25                     |
| SURFACE QUALITY                                | 60-40                       |
| COATING TYPE                                   | HARD COATED                 |
| DURABILITY                                     | MIL-C-48497A, SECTION 3.4.1 |
| ENVIRONMENTAL                                  | MIL-STD-810F, SECTION 507.4 |

**FOR INFORMATION ONLY:  
DO NOT MANUFACTURE  
PARTS TO THIS DRAWING**

SPECIFICATIONS SUBJECT TO CHANGE WITHOUT NOTICE  
DIMENSIONS ARE FOR REFERENCE ONLY

**EO**® Edmund Optics®

|                                                                                                              |             |                                                                                    |              |
|--------------------------------------------------------------------------------------------------------------|-------------|------------------------------------------------------------------------------------|--------------|
| THIRD ANGLE PROJECTION  | TITLE       | 676nm CWL, 12.5mm Dia, 29nm Bandwidth, Unmounted OD 6 Fluorescence Bandpass Filter |              |
|                                                                                                              | ALL DIMS IN | mm                                                                                 | DWG NO 18381 |