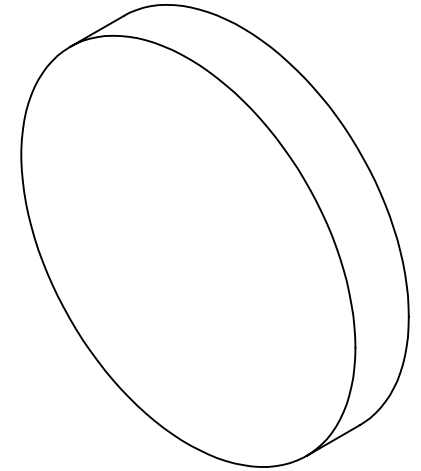
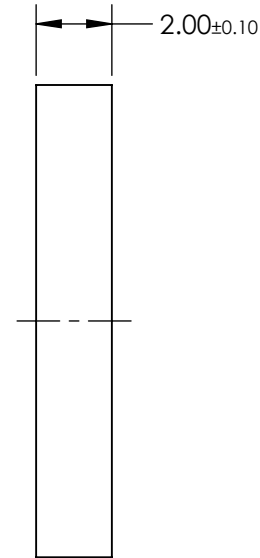
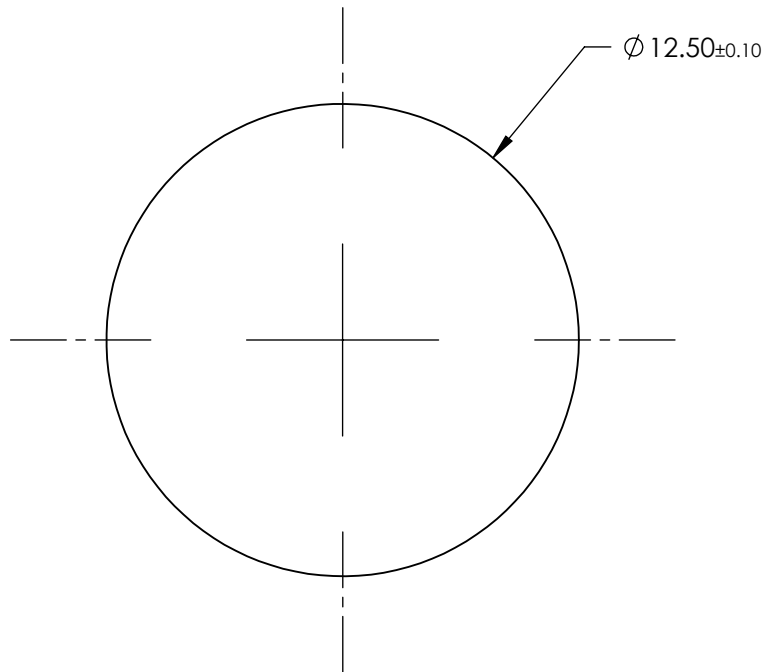


NOTES:

1. MATERIAL: UV Grade Fused Silica
2. TRANSMITTED WAVEFRONT ERROR: $< \lambda/4$

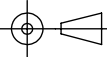


	VALUE
CENTER WAVELENGTH (CWL)	623nm
TRANSMISSION BANDWIDTH (MINIMUM)	24.00 nm
FULL WIDTH HALF MAX (TYPICAL)	30nm
AVERAGE TRANSMISSION OVER BANDWIDTH (MINIMUM)	93%
BLOCKING WAVELENGTH RANGE	250 - 1100 nm
OD6 BLOCKING RANGE < 3% FROM EDGE OF BANDWIDTH	300 - 598 & 648 - 850
CLEAR APERTURE (mm)	Ø 11.25
SURFACE QUALITY	60-40
COATING TYPE	HARD COATED
DURABILITY	MIL-C-48497A, SECTION 3.4.1
ENVIRONMENTAL	MIL-STD-810F, SECTION 507.4

**FOR INFORMATION ONLY:
DO NOT MANUFACTURE
PARTS TO THIS DRAWING**

SPECIFICATIONS SUBJECT TO CHANGE WITHOUT NOTICE
DIMENSIONS ARE FOR REFERENCE ONLY

EO® Edmund Optics®

THIRD ANGLE PROJECTION 	TITLE	623nm CWL, 12.5mm Dia, 24nm Bandwidth, Unmounted OD 6 Fluorescence Bandpass Filter	
	ALL DIMS IN	mm	DWG NO 18378