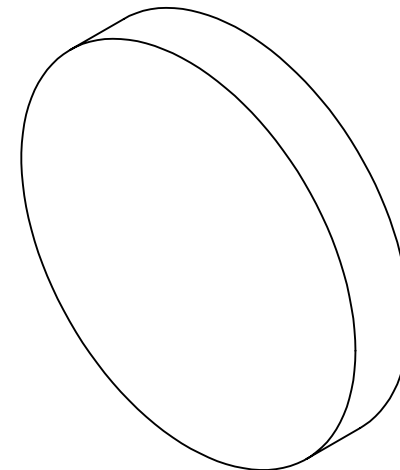
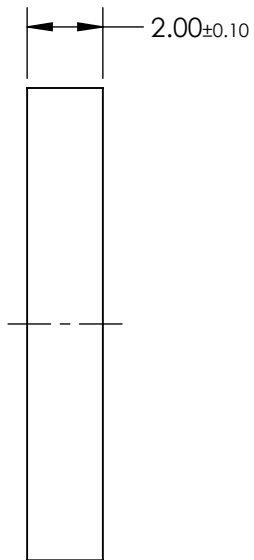
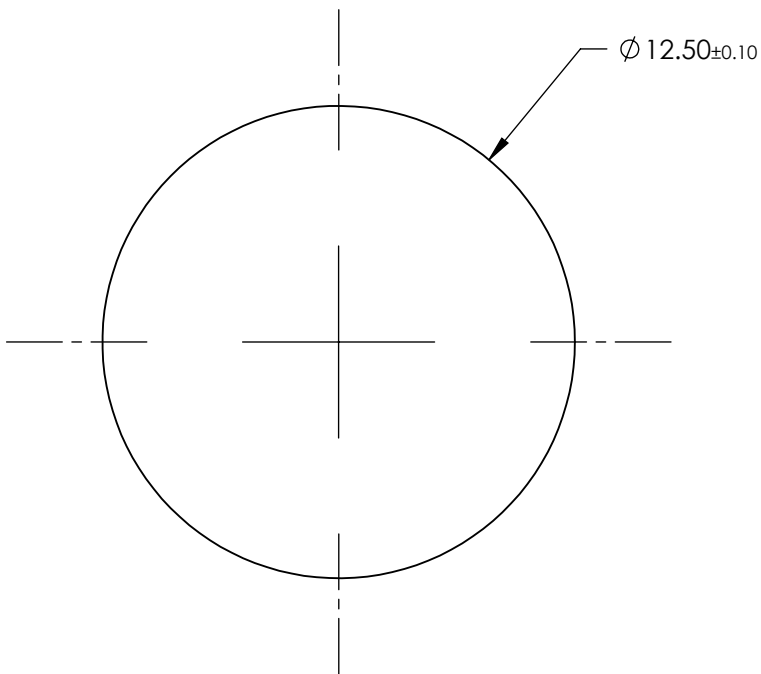


NOTES:

1. MATERIAL: UV Grade Fused Silica
2. TRANSMITTED WAVEFRONT ERROR: $< \lambda/4$



| | VALUE |
|------------------------------------------------|-----------------------------|
| CENTER WAVELENGTH (CWL) | 534.50 nm |
| TRANSMISSION BANDWIDTH (MINIMUM) | 43.00 nm |
| FULL WIDTH HALF MAX (TYPICAL) | 48.00 nm |
| AVERAGE TRANSMISSION OVER BANDWIDTH (MINIMUM) | 93 % |
| BLOCKING WAVELENGTH RANGE | 250 - 1100 nm |
| OD6 BLOCKING RANGE < 3% FROM EDGE OF BANDWIDTH | 250 - 497 & 588 - 1000 |
| CLEAR APERTURE (mm) | Ø 11.25 |
| SURFACE QUALITY | 60-40 |
| COATING TYPE | HARD COATED |
| DURABILITY | MIL-C-48497A, SECTION 3.4.1 |
| ENVIRONMENTAL | MIL-STD-810F, SECTION 507.4 |

**FOR INFORMATION ONLY:
DO NOT MANUFACTURE
PARTS TO THIS DRAWING**

SPECIFICATIONS SUBJECT TO CHANGE WITHOUT NOTICE
DIMENSIONS ARE FOR REFERENCE ONLY

EO® Edmund Optics®



ALL DIMS IN

mm

TITLE

535nm CWL, 12.5mm Dia, 43nm Bandwidth,
Unmounted OD 6 Fluorescence Bandpass
Filter

DWG NO

18374

SHEET
1 OF 1