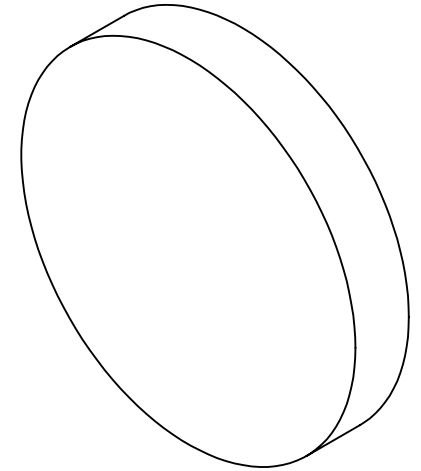
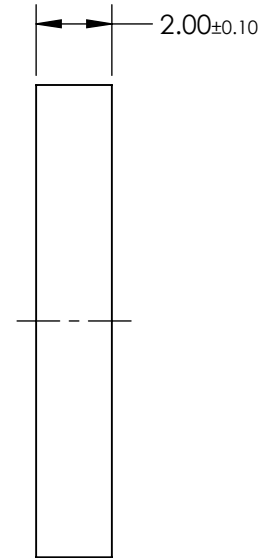
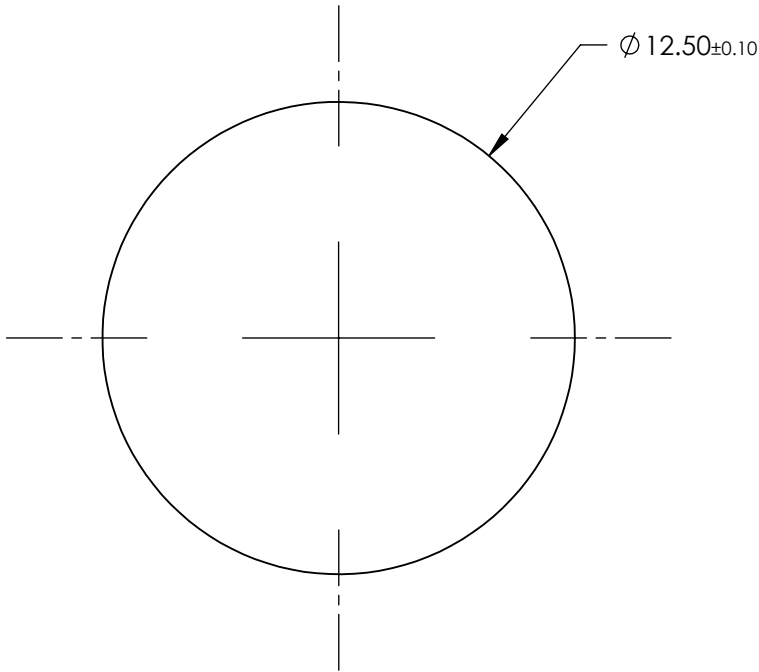


NOTES:

1. MATERIAL: UV Grade Fused Silica
2. TRANSMITTED WAVEFRONT ERROR:  $< \lambda/4$



	VALUE
CENTER WAVELENGTH (CWL)	387.00 nm
TRANSMISSION BANDWIDTH (MINIMUM)	11.00 nm
FULL WIDTH HALF MAX (TYPICAL)	15.00 nm
AVERAGE TRANSMISSION OVER BANDWIDTH (MINIMUM)	90 %
BLOCKING WAVELENGTH RANGE	250 - 1100 nm
OD6 BLOCKING RANGE < 3% FROM EDGE OF BANDWIDTH	405 - 700
CLEAR APERTURE (mm)	Ø 11.25
SURFACE QUALITY	60-40
COATING TYPE	HARD COATED
DURABILITY	MIL-C-48497A, SECTION 3.4.1
ENVIRONMENTAL	MIL-STD-810F, SECTION 507.4

**FOR INFORMATION ONLY:  
DO NOT MANUFACTURE  
PARTS TO THIS DRAWING**

SPECIFICATIONS SUBJECT TO CHANGE WITHOUT NOTICE  
DIMENSIONS ARE FOR REFERENCE ONLY

**EO**® Edmund Optics®



THIRD ANGLE  
PROJECTION

ALL DIMS IN

mm

TITLE

387nm CWL, 12.5mm Dia, 11nm Bandwidth,  
Unmounted OD 6 Fluorescence Bandpass  
Filter

DWG NO

18368

SHEET  
1 OF 1