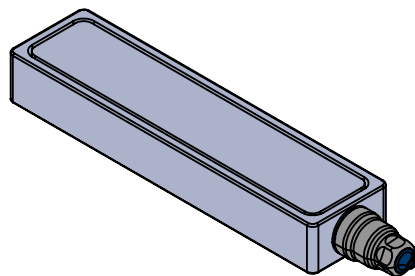
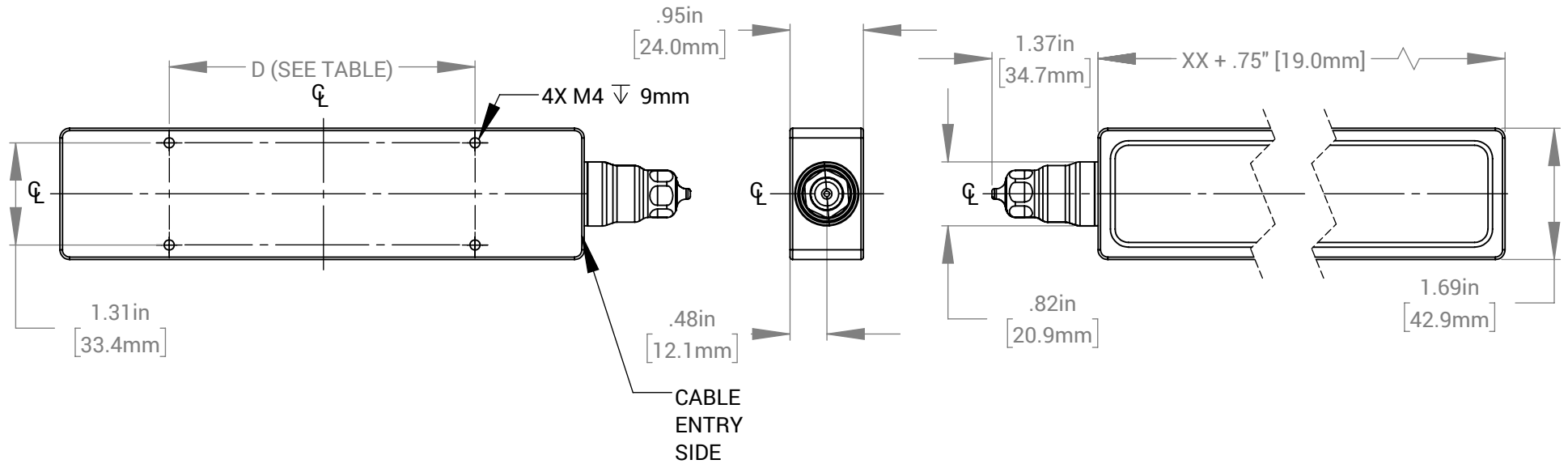


LENGTH MATRIX

CONFIG. (AL247-XX01)	MOUNTING HOLE DISTANCE CENTER TO CENTER IN INCHES [mm] (D)
AL247-0601	3.94 [100mm]
AL247-1201	6.89 [175mm]
AL247-1801	9.84 [250mm]
AL247-2401*	17.72 [450mm]

AL247-2401 HAS ADDITIONAL HOLES AT D/2, DISTANCE BETWEEN HOLES IS 9.84 [225mm]

REVISIONS			
REV.	DESCRIPTION	DATE	DCN NO
-	FOR QUOTING PURPOSES ONLY		



FOR REFERENCE ONLY

PROPRIETARY AND CONFIDENTIAL
 THESE DRAWINGS AND SPECIFICATIONS ARE THE EXCLUSIVE PROPERTIES OF ADVANCED ILLUMINATION INCORPORATED ISSUED IN STRICT CONFIDENCE AND SHALL NOT, WITHOUT THE PRIOR WRITTEN PERMISSION OF ADVANCED ILLUMINATION INC BE REPRODUCED, COPIED OR USED FOR ANY PURPOSE WHATSOEVER EXCEPT THE MANUFACTURE OF ARTICLES FOR ADVANCED ILLUMINATION INC

6" UNIT WEIGHT: 0.92 lbs

CUT USING: -		UNLESS OTHERWISE SPECIFIED:		DATE	NAME	 440 STATE GARAGE ROAD, ROCHESTER, VERMONT 05767
		SURFACE SHOULD BE FREE OF SCRATCHES, BURRS, AND DENTS		09-JAN-20	T.MILLS	
		DIMENSIONS ARE IN: INCHES		CHECKED	--	TITLE: DRAWING, INSTALLATION, AL247-XX01
		TOLERANCES		APPROVED	--	
		FRACTIONAL: 1/16		MATERIAL		SIZE DWG. NO. REV A AL247-XX01 -
		ANGULAR: MACH: 1 BEND: 1		AS NOTED ON INDIVIDUAL DRWS		
		TWO PLACE DECIMAL: .010		FINISH		SCALE: NTS C CODE: SHEET 1 OF 1
		THREE PLACE DECIMAL: .005		AS NOTED ON INDIVIDUAL DRWS		
NEXT ASSY	USED ON	MAKE FROM				
APPLICATION						