

NOTES:

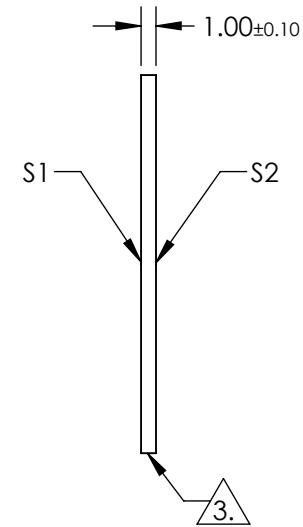
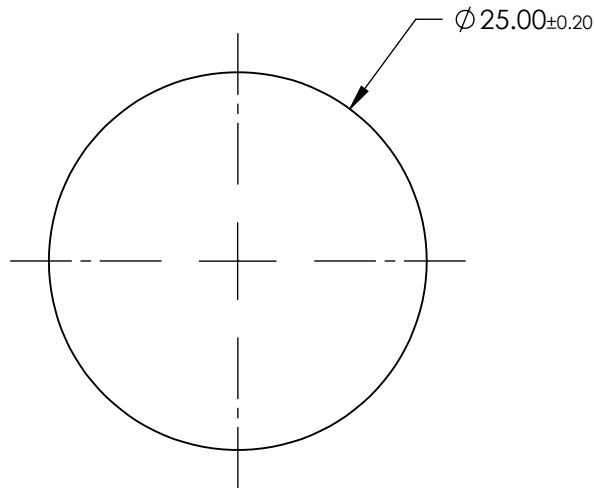
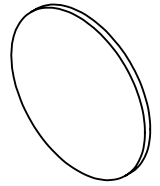
1. SUBSTRATE:
SCHOTT KG2
2. COATING (APPLY ACROSS CLEAR APERTURE)

S1 & S2: NONE

 FINE GRIND SURFACE

4. DENSITY (g/cm³) : 2.52
OPERATING TEMPERATURE (°C): 300 Maximum
REFLECTION FACTOR: 0.92

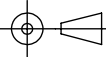
5. ROHS COMPLIANT



**FOR INFORMATION ONLY:
DO NOT MANUFACTURE
PARTS TO THIS DRAWING**

SPECIFICATIONS SUBJECT TO CHANGE WITHOUT NOTICE
DIMENSIONS ARE FOR REFERENCE ONLY

 [®] **Edmund Optics** [®]

| | | | | | | | |
|-----------------|---------------------|---------------------|--|----|--------|---|--------------|
| | S1 | S2 | THIRD ANGLE PROJECTION  | | TITLE | SCHOTT KG2, 25mm Dia., 1mm Thick, Colored Glass Heat Absorbing Shortpass Filter | |
| SHAPE | PLANO | PLANO | | | DWG NO | 19321 | SHEET 1 OF 1 |
| SURFACE QUALITY | 60-40 | 60-40 | ALL DIMS IN | mm | | | |
| BEVEL | PROTECTED AS NEEDED | PROTECTED AS NEEDED | | | | | |