

## A-39N



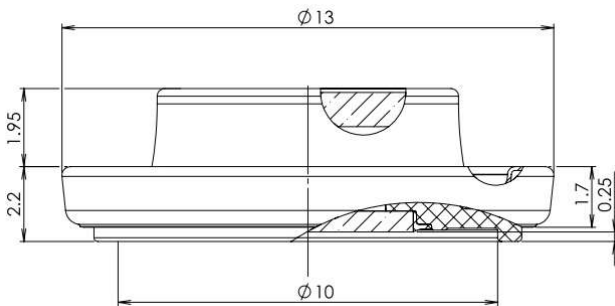
Designed specifically for variable focus products needing a large clear aperture: long focal objectives, large sensors, C-Mount objective lenses and laser beam shaping applications. The A-39N is perfectly suited for applications such as industrial vision, medical imaging cameras, optical equipment, biometric devices, etc.

### Key Features:

- 13 mm outer diameter
- 4.0 mm thickness
- 3.9 mm clear aperture
- Silent
- Focus range from 5 cm to  $\infty$
- Easy to integrate

### Ordering Information:

- **A-39N0:** with an anti-reflective coating optimized in the visible range
- **A-39N1:** with an anti-reflective coating optimized in the near infrared
- **A-39N9:** with no anti-reflective coating



### Specifications:

Typical performance at 25°C

Useful aperture at 0° field of view	3.9 mm
Useful aperture at 50° field of view	3.5 mm
Low optical power	-5 diopters (m <sup>-1</sup> )
High optical power	+15 diopters (m <sup>-1</sup> )
Wave Front Error on 3.5mm aperture	50 nm (rms)
Transmission at 587nm (or 850nm for N1)	97%
Storage temperature	from -40 to 85°C
Operating temperature	from -20 to 60°C