

NOTES:

1. SUBSTRATE:
N-SF6
2. CENTERING TOLERANCE (AT 587.6nm): <3 ARCMIN
3. COATING (APPLY ACROSS COATING APERTURE)
S1: NONE
S2: NONE

4. EDGES: FINE GROUND

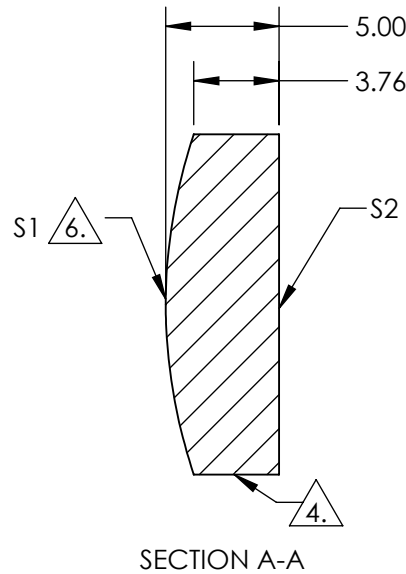
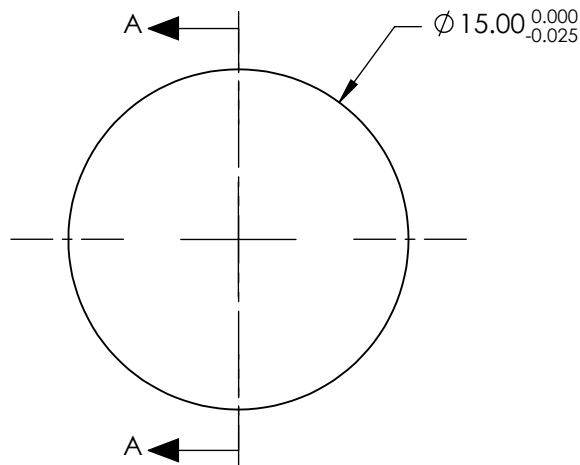
5. ASPHERIC FIGURE ERROR: 0.25 μm RMS

6. ASPHERIC SURFACE DESCRIBED BY (REF. COEFFICIENT TABLE):

$$Z_{ASPH}(Y) = \frac{(\frac{1}{RADIUS}) * Y^2}{1 + \sqrt{1 - (1+k) * (\frac{1}{RADIUS})^2 * Y^2}} + D * Y^2 + E * Y^4 + F * Y^6 + G * Y^8 + H * Y^{10} + J * Y^{12} + L * Y^{14}$$

**FOR INFORMATION ONLY:
DO NOT MANUFACTURE
PARTS TO THIS DRAWING**

SPECIFICATIONS SUBJECT TO CHANGE WITHOUT NOTICE
DIMENSIONS ARE FOR REFERENCE ONLY



COEFFICIENT TABLE 6.	
COEFFICIENT	S1
SEMI-DIAMETER	7.500000E+00
(1/RADIUS)	4.370438E-02
k	-9.730000E-00
D	0.000000E+00
E	3.070373E-06
F	-7.639935E-10
G	0.000000E+00
H	0.000000E+00
J	0.000000E+00
L	0.000000E+00

	S1	S2
SHAPE	CONVEX	PLANO
SURFACE QUALITY	40-20	40-20
CLEAR APERTURE	Ø 13.5mm	Ø 13.5mm
BEVEL	PROTECTIVE AS NEEDED	PROTECTIVE AS NEEDED

EFL@1550nm: 30.00
BFL@587.6nm: 25.65
THIRD ANGLE PROJECTION
ALL DIMS IN mm

Edmund Optics®

TITLE	ASPHERE PREC 15mm F/2.0 1500nm UNCTD
DWG NO	17417
SHEET	1 OF 1