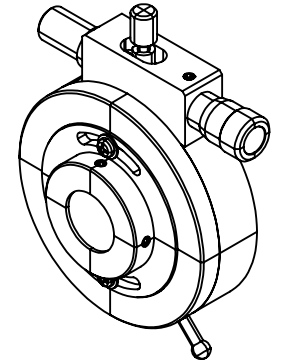
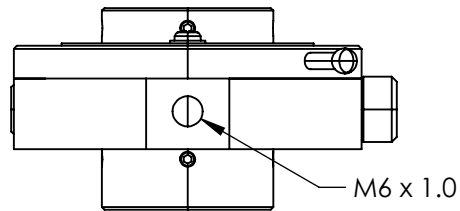
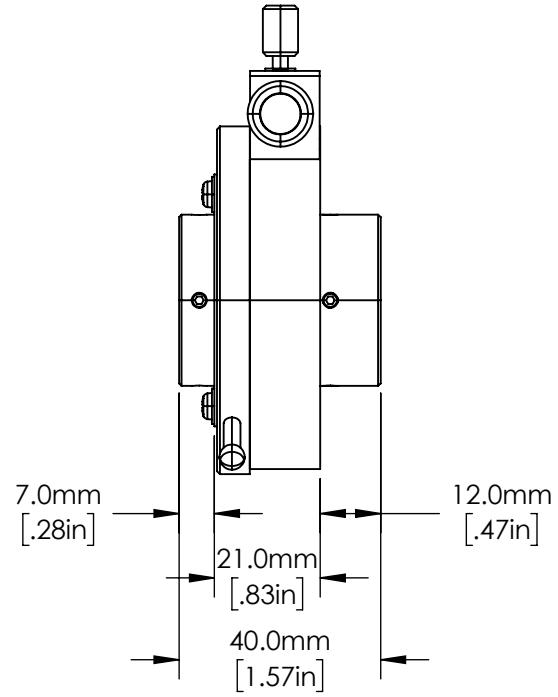
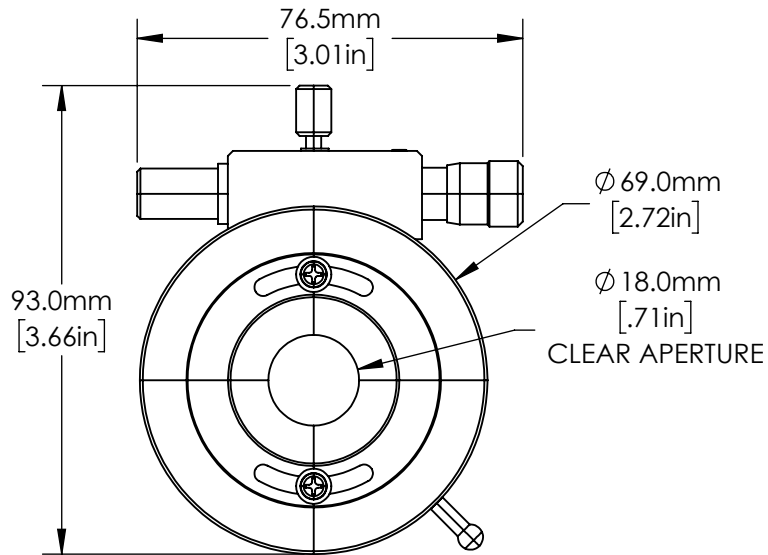
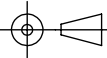


**FOR INFORMATION ONLY:
DO NOT MANUFACTURE
PARTS TO THIS DRAWING**



EO[®] Edmund Optics[®]

SPECIFICATIONS SUBJECT TO CHANGE WITHOUT NOTICE
DIMENSIONS ARE FOR REFERENCE ONLY

THIRD ANGLE PROJECTION 		TITLE	25.4mm w/ micrometer, Glan-Thompson Mount	
ALL DIMS IN	mm	DWG NO	57572	SHEET 1 OF 1