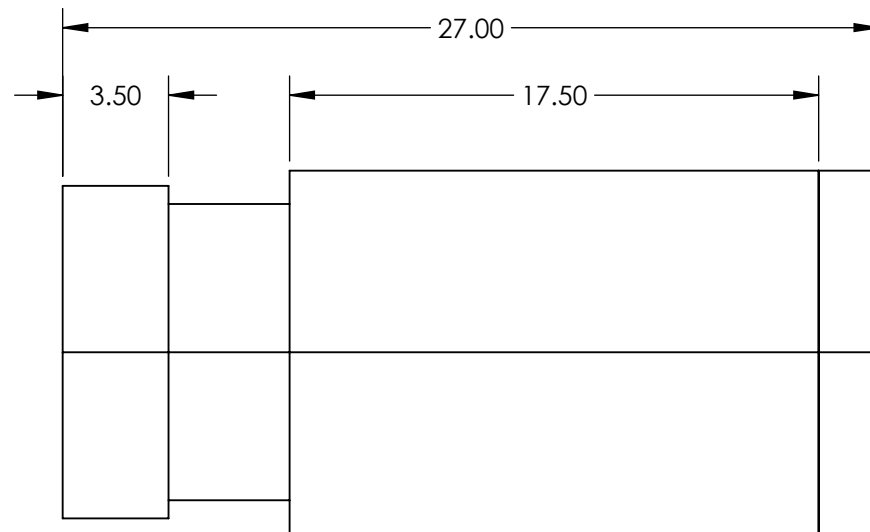
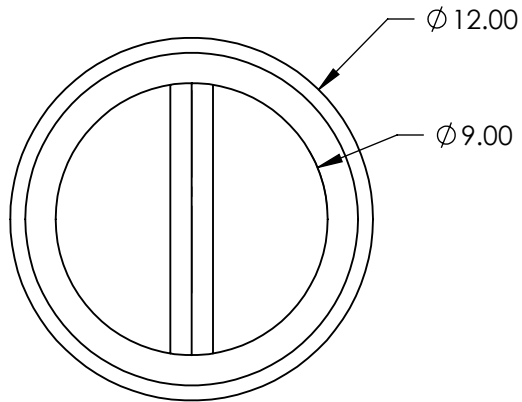
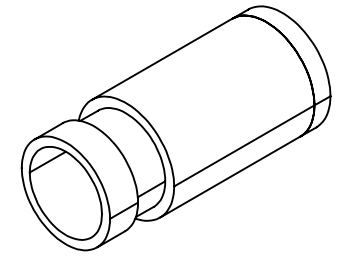


NOTES:

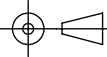
1. 30° FAN ANGLE



SPECIFICATIONS SUBJECT TO CHANGE WITHOUT NOTICE
DIMENSIONS ARE FOR REFERENCE ONLY

**FOR INFORMATION ONLY:
DO NOT MANUFACTURE
PARTS TO THIS DRAWING**

EO® Edmund Optics®

THIRD ANGLE PROJECTION 		TITLE	635nm, 30° Single Line Projection Head	
ALL DIMS IN	mm	DWG NO	37094	SHEET 1 OF 1