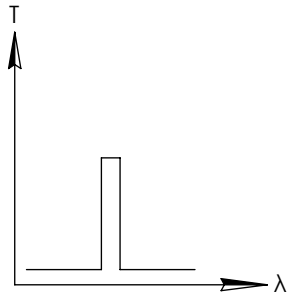
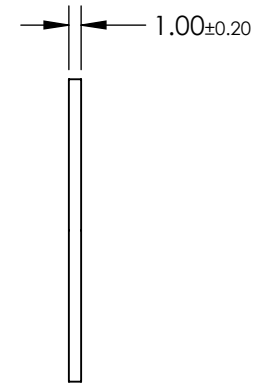
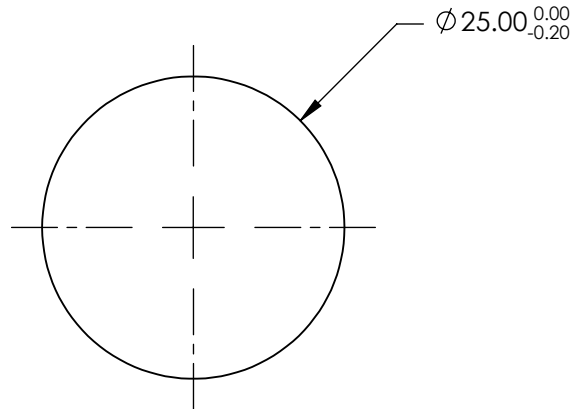
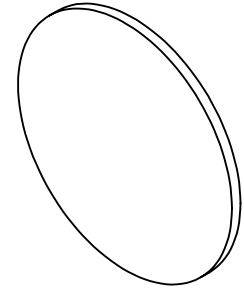


NOTES:

1. SUBSTRATE: Silicon Floatzone (SiFz)
2. RoHS: COMPLIANT

**FOR INFORMATION ONLY:
DO NOT MANUFACTURE
PARTS TO THIS DRAWING**

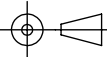


BANDPASS FILTER

SPECIFICATIONS SUBJECT TO CHANGE WITHOUT NOTICE
DIMENSIONS ARE FOR REFERENCE ONLY

| | VALUE |
|---------------------------------|---------------------|
| SHAPE | PLANO |
| SURFACE QUALITY | 80-50 |
| CENTER WAVELENGTH (µm) | 6.50 |
| FULL WIDTH HALF MAX (FWHM) (µm) | 0.50±0.05 |
| MIN TRANSMISSION (%) | ≥65 |
| CLEAR APERTURE | Ø20.00 |
| BEVEL | PROTECTED AS NEEDED |

EO® Edmund Optics®

THIRD ANGLE PROJECTION 

ALL DIMS IN mm

| | |
|--------|--|
| TITLE | 6.50µm CWL, 25.0mm DIAMETER, 0.50µm FWHM, IR BANDPASS FILTER |
| DWG NO | 17245 |
| SHEET | 1 OF 1 |