

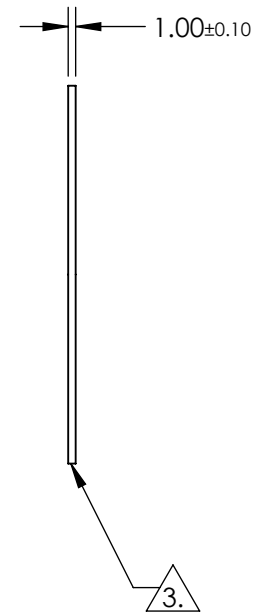
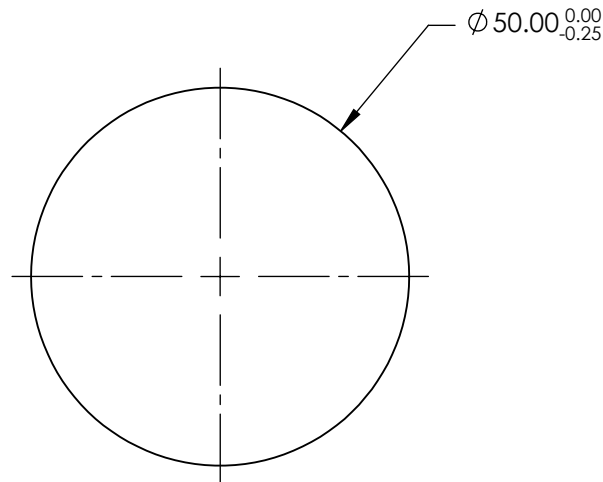
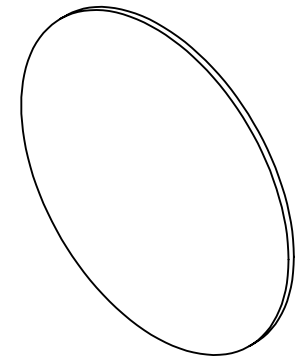
NOTES:

- 1. SUBSTRATE: B270
- 2. COATING (APPLY ACROSS CLEAR APERTURE)

S1 & S2: NONE

 FINE GRIND SURFACE

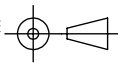
- 4. ROHS COMPLIANT



**FOR INFORMATION ONLY:
DO NOT MANUFACTURE
PARTS TO THIS DRAWING**

SPECIFICATIONS SUBJECT TO CHANGE WITHOUT NOTICE
DIMENSIONS ARE FOR REFERENCE ONLY

	S1	S2
SHAPE	PLANO	PLANO
SURFACE QUALITY	60-40	60-40
CLEAR APERTURE	Ø 45.00	Ø 45.00
SURFACE FLATNESS	1λ PER 25.4mm	1λ PER 25.4mm
BEVEL	PROTECTED AS NEEDED	PROTECTED AS NEEDED

THIRD ANGLE PROJECTION 

ALL DIMS IN mm

 **Edmund Optics®**

TITLE: 50mm Dia., 1mm Thick, Uncoated, B270 Window

DWG NO: 17168

SHEET 1 OF 1