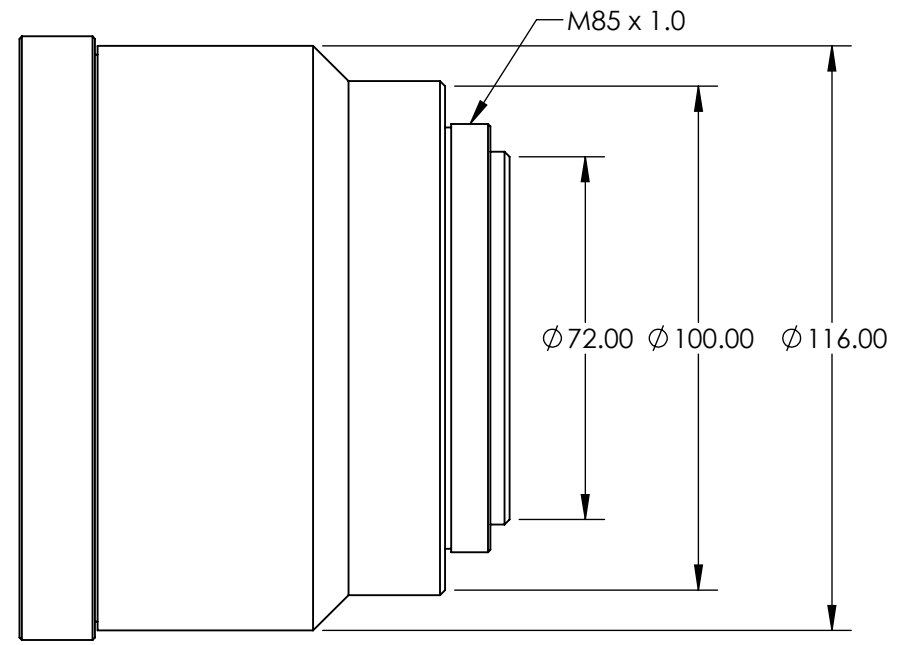
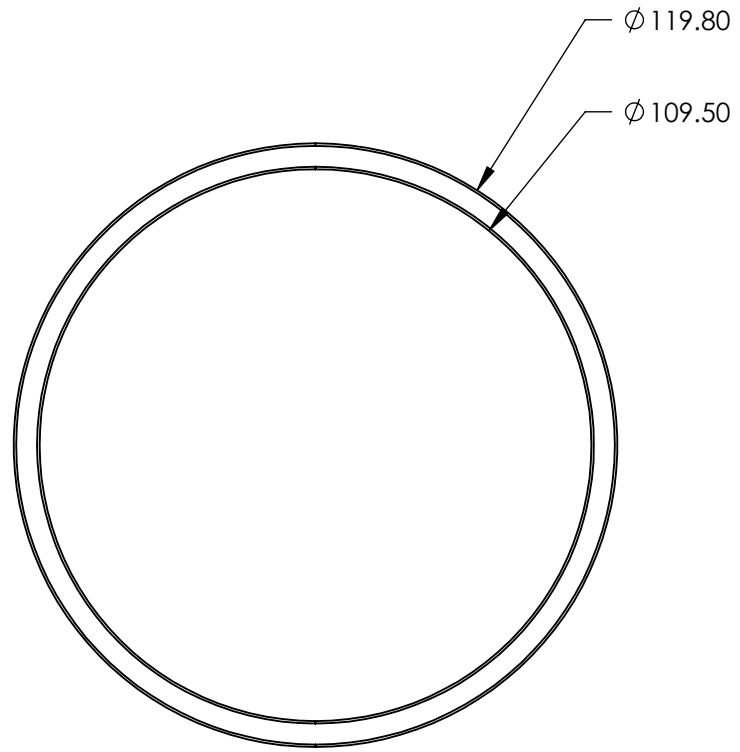
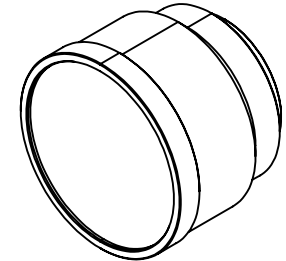


NOTES:

1. RoHS: COMPLIANT
2. DAMAGE THRESHOLD:
 PULSED LIDT: $5.0 \text{ J/cm}^2 * (\tau/[\text{ns}])^{0.30}$
 CW LIDT: 5.0 MW/cm^2
3. GROUP DELAY DISPERSION: 904 fs^2



SPECIFICATIONS SUBJECT TO CHANGE WITHOUT NOTICE
 DIMENSIONS ARE FOR REFERENCE ONLY

**FOR INFORMATION ONLY:
 DO NOT MANUFACTURE
 PARTS TO THIS DRAWING**



THIRD ANGLE PROJECTION		TITLE	255mm, 1030-1080nm JENar™ Silverline™ F-Theta Scanning Lens	
ALL DIMS IN	mm	DWG NO	16770	SHEET 1 OF 1