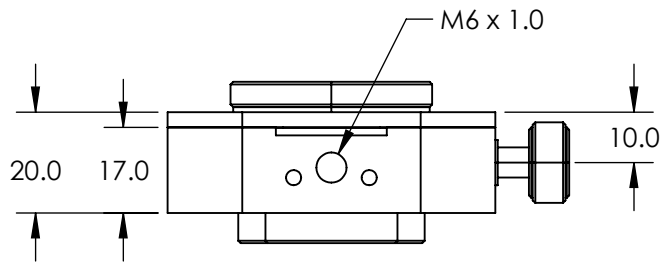
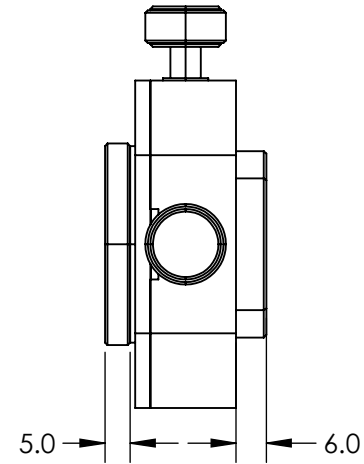
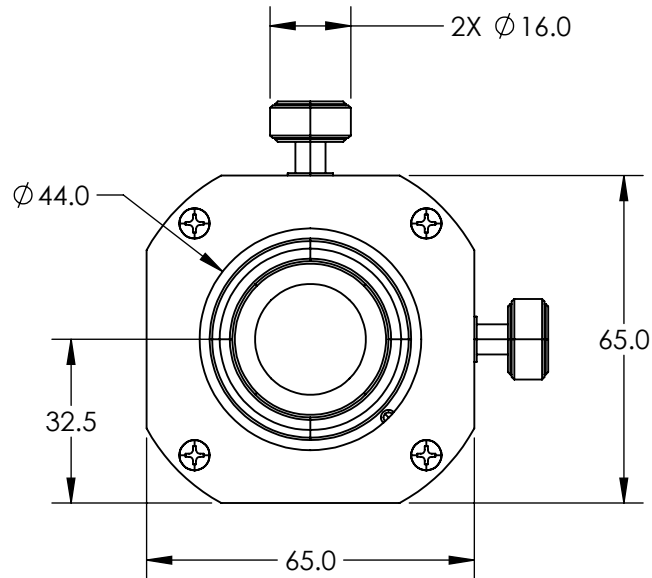
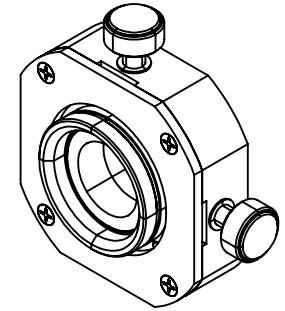


NOTES:

1. ROHS COMPLIANT



SPECIFICATIONS SUBJECT TO CHANGE WITHOUT NOTICE
DIMENSIONS ARE FOR REFERENCE ONLY

**FOR INFORMATION ONLY:
DO NOT MANUFACTURE
PARTS TO THIS DRAWING**

EO® Edmund Optics®

| | |
|--------------------------------|-----------|
| SIZE OF COMPATIBLE OPTICS (mm) | 25.0/25.4 |
| CLEAR APERTURE | Ø 22.0 |

| | | | |
|------------------------|-------|-------------------------------------------------------|--------------|
| THIRD ANGLE PROJECTION | TITLE | 25.0/25.4mm Optic Dia., X-Y-Z Translating Optic Mount | |
| ALL DIMS IN | mm | DWG NO | 62959 |
| | | | SHEET 1 OF 1 |