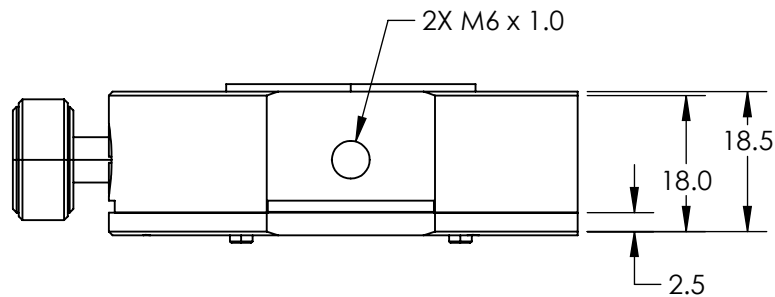
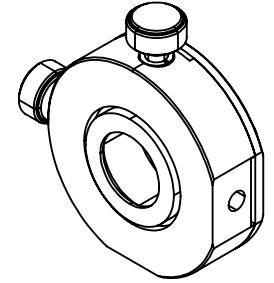
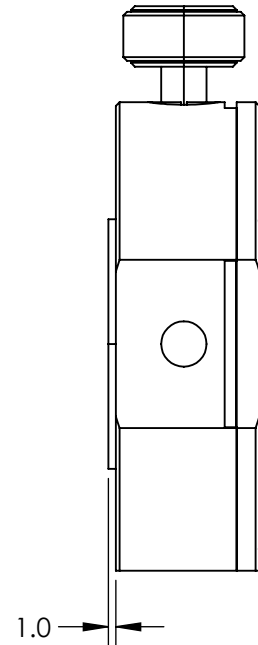
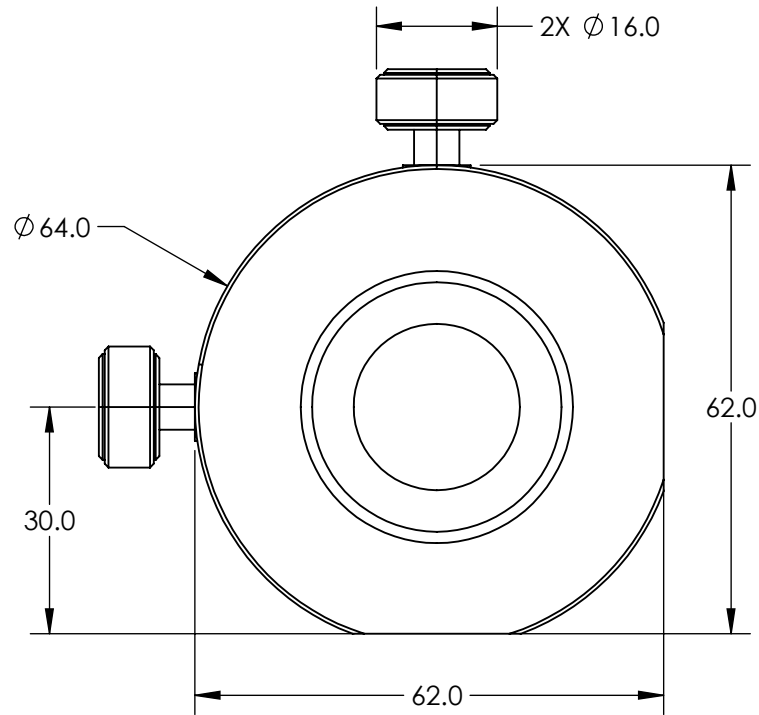


NOTES:

- 1. ROHS COMPLIANT



SPECIFICATIONS SUBJECT TO CHANGE WITHOUT NOTICE
DIMENSIONS ARE FOR REFERENCE ONLY

**FOR INFORMATION ONLY:
DO NOT MANUFACTURE
PARTS TO THIS DRAWING**

EO® Edmund Optics®

| | |
|--------------------------------|-----------|
| SIZE OF COMPATIBLE OPTICS (mm) | 50.0/50.8 |
| CLEAR APERTURE | ∅ 46.0 |

| | |
|------------------------|----|
| THIRD ANGLE PROJECTION | |
| ALL DIMS IN | mm |

| | | | |
|--------|---|-------|--------|
| TITLE | 50.0/50.8mm Optic Dia., X-Y Translating Optic Mount | | |
| DWG NO | 62956 | SHEET | 1 OF 1 |