

NOTES:

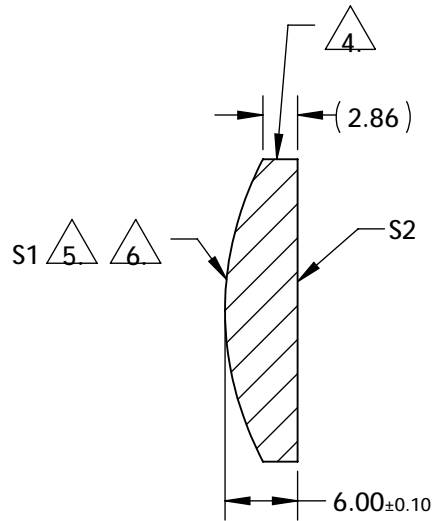
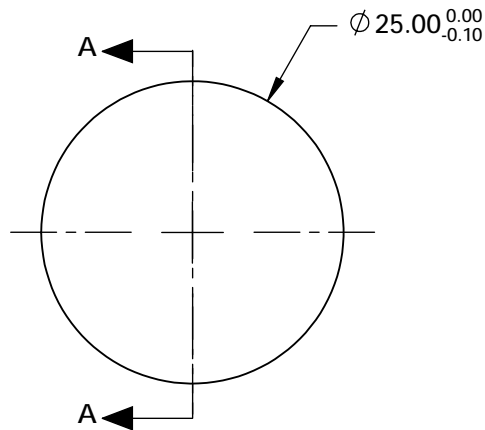
1. SUBSTRATE:
N-BK7
2. CENTERING TOLERANCE (AT 587.6nm):
BEAM DEVIATION (HALF ANGLE): <3 arcmin
3. COATING (APPLY ACROSS COATING APERTURE)
S1: VIS (350-700nm)
Ravg < 0.5% @ 350 - 700nm @ ±30° AOI
Rabs < 1.5% @ 350 - 700nm @ ±30° AOI
S2: VIS (350-700nm)
Ravg < 0.5% @ 350 - 700nm @ ±30° AOI
Rabs < 1.5% @ 350 - 700nm @ ±30° AOI

4. EDGES: FINE GROUND

5. ASPHERIC FIGURE ERROR: 0.75 μm RMS

6. ASPHERIC SURFACE DESCRIBED BY (REF. COEFFICIENT TABLE):

$$Z_{ASPH}(Y) = \frac{(\frac{1}{RADIUS}) * Y^2}{1 + \sqrt{1 - (1+k) * (\frac{1}{RADIUS})^2 * Y^2}} + D * Y^2 + E * Y^4 + F * Y^6 + G * Y^8 + H * Y^{10} + J * Y^{12} + L * Y^{14}$$



SECTION A-A

**FOR INFORMATION ONLY:
DO NOT MANUFACTURE
PARTS TO THIS DRAWING**

SPECIFICATIONS SUBJECT TO CHANGE WITHOUT NOTICE
DIMENSIONS ARE FOR REFERENCE ONLY

COEFFICIENT TABLE 6.

COEFFICIENT	S1
SEMI-DIAMETER	1.250000E+01
(1/RADIUS)	3.91236307E-02
k	-7.000000E-01
D	0.000000E+00
E	9.498300E-07
F	2.583100E-10
G	0.000000E+00
H	0.000000E+00
J	0.000000E+00
L	0.000000E+00

	S1	S2				
SHAPE	CONVEX	PLANO	BFL @ 780nm: 46.03			
RADIUS	25.560	INFINITY				
SURFACE QUALITY	40-20	40-20	THIRD ANGLE PROJECTION			
CLEAR APERTURE	22.5 mm	22.5 mm	TITLE 25mm Dia., 0.25 NA, 350-700nm Coated, NIR Aspheric Lens			
BEVEL	PROTECTIVE AS NEEDED	PROTECTIVE AS NEEDED	ALL DIMS IN	mm	DWG NO	16273
						SHEET 1 OF 1

Edmund Optics®