

NOTES:

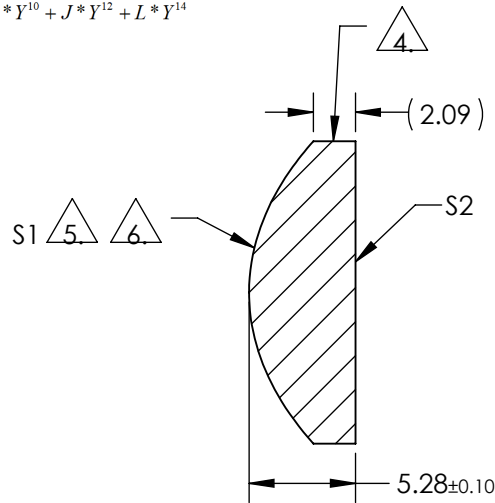
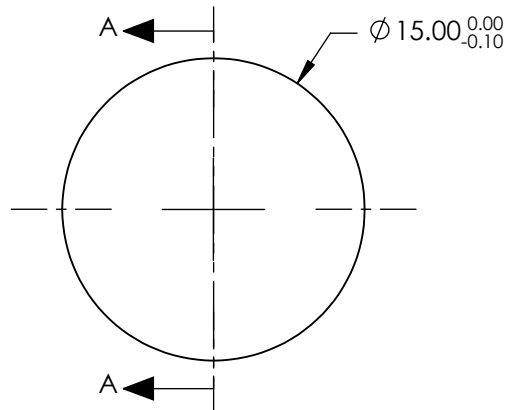
1. SUBSTRATE:
S-LAH64
2. CENTERING TOLERANCE (AT 587.6nm):
BEAM DEVIATION (HALF ANGLE): <3 arcmin
3. COATING (APPLY ACROSS COATING APERTURE)
S1: VIS (350-700nm)
Ravg < 0.5% @ 350 - 700nm @ ±30° AOI
Rabs < 1.5% @ 350 - 700nm @ ±30° AOI
S2: VIS (350-700nm)
Ravg < 0.5% @ 350 - 700nm @ ±30° AOI
Rabs < 1.5% @ 350 - 700nm @ ±30° AOI

4. EDGES: FINE GROUND

5. ASPHERIC FIGURE ERROR: 0.75 μm RMS

6. ASPHERIC SURFACE DESCRIBED BY (REF. COEFFICIENT TABLE):

$$Z_{ASPH}(Y) = \frac{(\frac{1}{RADIUS}) * Y^2}{1 + \sqrt{1 - (1+k) * (\frac{1}{RADIUS})^2 * Y^2}} + D * Y^2 + E * Y^4 + F * Y^6 + G * Y^8 + H * Y^{10} + J * Y^{12} + L * Y^{14}$$




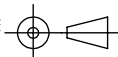
SECTION A-A

**FOR INFORMATION ONLY:
DO NOT MANUFACTURE
PARTS TO THIS DRAWING**

SPECIFICATIONS SUBJECT TO CHANGE WITHOUT NOTICE
DIMENSIONS ARE FOR REFERENCE ONLY

COEFFICIENT TABLE 6.

COEFFICIENT	S1
SEMI-DIAMETER	7.500000E+00
(1/RADIUS)	1.07296137E-01
k	-8.830000E+00
D	0.000000E+00
E	3.953300E-05
F	-3.748800E-08
G	-6.650300E-10
H	-2.770000E-12
J	1.808000E-14
L	0.000000E+00

	S1	S2	EFL @ 780nm: 12	 Edmund Optics®			
SHAPE	CONVEX	PLANO	BFL @ 780nm: 9.02				
RADIUS	9.320	INFINITY	THIRD ANGLE PROJECTION 	TITLE	15mm Dia., 0.63 NA, 350-700nm Coated, NIR Precision Aspheric Lens		
SURFACE QUALITY	40-20	40-20	ALL DIMS IN	mm	DWG NO	16269	
CLEAR APERTURE	13.5 mm	13.5 mm					
BEVEL	PROTECTIVE AS NEEDED	PROTECTIVE AS NEEDED					
							SHEET 1 OF 1