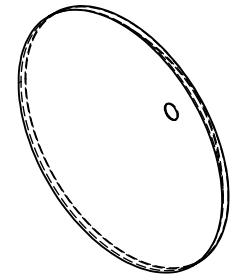
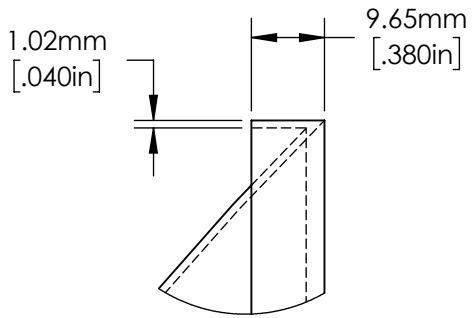


NOTES:

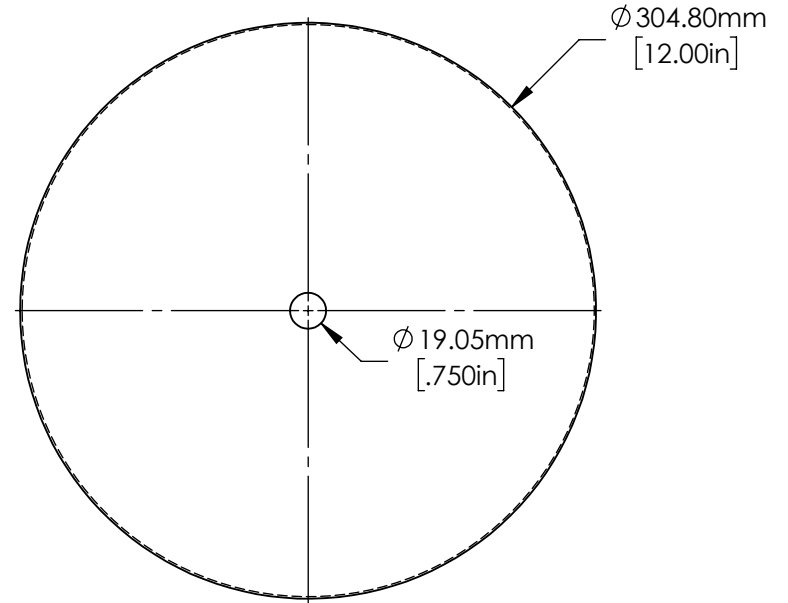
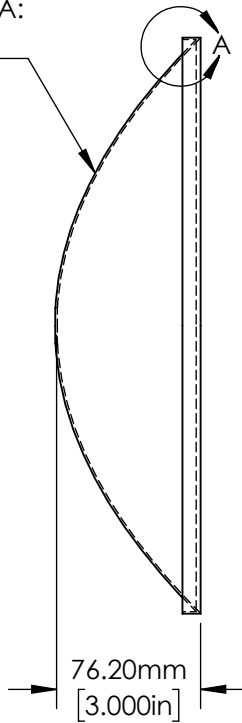
1. SUBSTRATE: 0.04 ALUMINUM
2. COATING: UNCOATED
3. ROHS EXEMPT



SURFACE FORMULA:
 $Y = \sqrt{12X}$



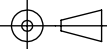
DETAIL A



SPECIFICATIONS SUBJECT TO CHANGE WITHOUT NOTICE
 DIMENSIONS ARE FOR REFERENCE ONLY

**FOR INFORMATION ONLY:
 DO NOT MANUFACTURE
 PARTS TO THIS DRAWING**

EO® Edmund Optics®

THIRD ANGLE PROJECTION 		TITLE	12" Diameter, Parabolic Reflector	
ALL DIMS IN	mm	DWG NO	53875	SHEET 1 OF 1