

NOTES:

1. SUBSTRATE:



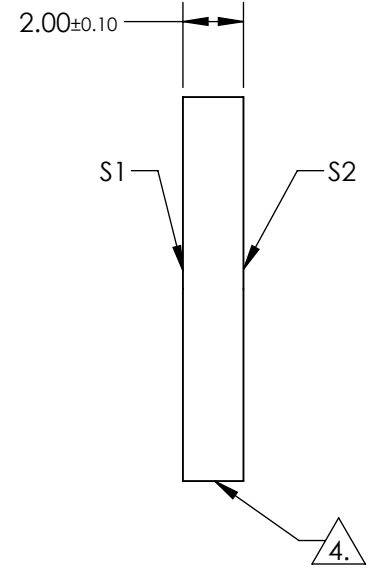
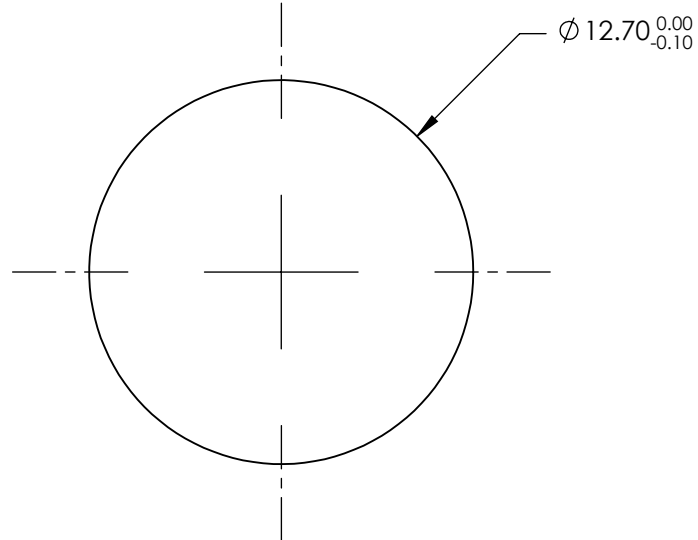
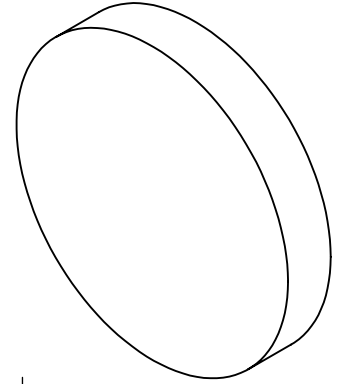
2. SURFACE S2 TO BE PARALLEL TO S1 WITHIN <1 ARCMIN

3. COATING (APPLY ACROSS CLEAR APERTURE)

S1&S2: UNCOATED

4. FINE GRIND SURFACE

5. ROHS COMPLIANT



**FOR INFORMATION ONLY:
DO NOT MANUFACTURE
PARTS TO THIS DRAWING**

SPECIFICATIONS SUBJECT TO CHANGE WITHOUT NOTICE
DIMENSIONS ARE FOR REFERENCE ONLY

	S1	S2
SHAPE	PLANO	PLANO
SURFACE QUALITY	40-20	40-20
SURFACE FLATNESS	$\lambda/2$	$\lambda/2$
CLEAR APERTURE (mm)	11.43	11.43
BEVEL	PROTECTED AS NEEDED	PROTECTED AS NEEDED

THIRD ANGLE PROJECTION

ALL DIMS IN mm

Edmund Optics®

TITLE: 12.7mm Diameter Uncoated, Magnesium Fluoride Window

DWG NO: 17281

SHEET 1 OF 1