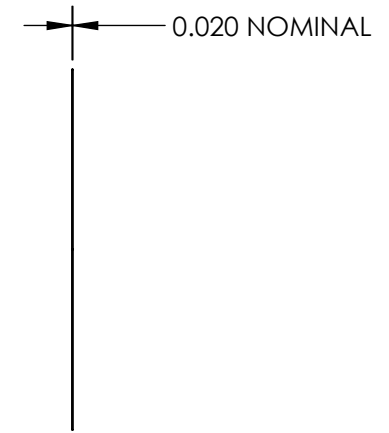
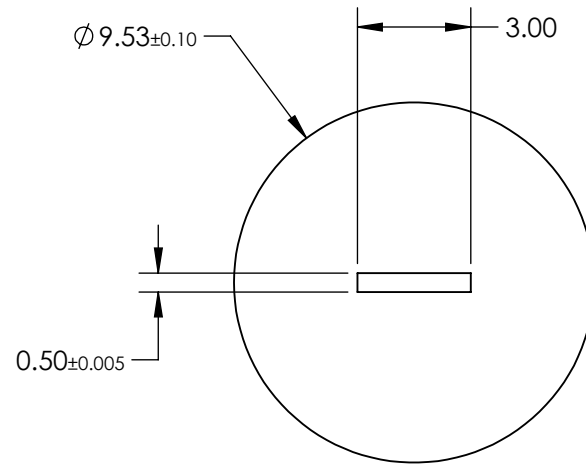
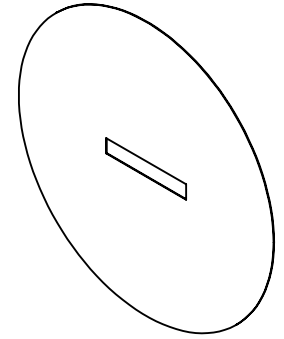


NOTES:

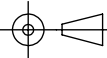
1. MATERIAL: STAINLESS STEEL
2. ABSORBANCE: 99%
3. WAVELENGTH RANGE: EUV - NIR
4. RoHS: COMPLIANT



SPECIFICATIONS SUBJECT TO CHANGE WITHOUT NOTICE
 DIMENSIONS ARE FOR REFERENCE ONLY

EO[®] Edmund Optics[®]

**FOR INFORMATION ONLY:
 DO NOT MANUFACTURE
 PARTS TO THIS DRAWING**

THIRD ANGLE PROJECTION 		TITLE	500µm X 3mm, UNMOUNTED, ACKTAR BLACKENED AIR SLIT	
ALL DIMS IN	mm	DWG NO	17464	SHEET 1 OF 1