

NOTES:

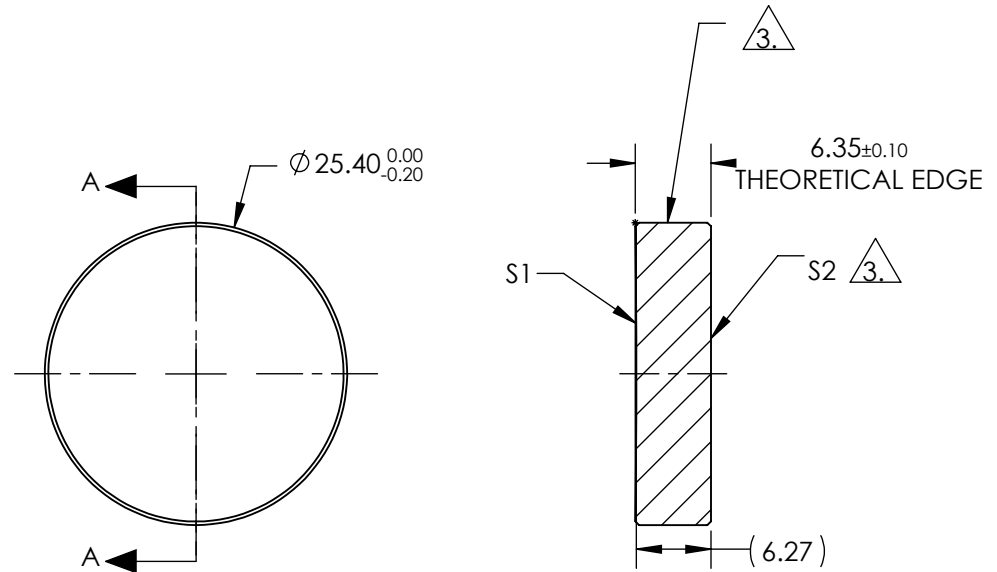
1. SUBSTRATE:
FUSED SILICA
2. COATING (APPLY ACROSS CLEAR APERTURE)

S1: Ultrafast-Enhanced Silver
 R(AVG) >99% @ 850-1150nm @ 0° AOI
 Rs >99% @ 800-1150nm @ 45° AOI
 Rp >98.5% @ 850-1100nm @ 45° AOI
 GDD: 0 ±30 fs² @ 800 - 1150 nm

S2: NONE

3. FINE GRIND SURFACE

4. EFL (EFFECTIVE FOCAL LENGTH): 500mm

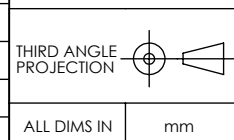


SECTION A-A

**FOR INFORMATION ONLY:
 DO NOT MANUFACTURE
 PARTS TO THIS DRAWING**

SPECIFICATIONS SUBJECT TO CHANGE WITHOUT NOTICE
 DIMENSIONS ARE FOR REFERENCE ONLY

	S1	S2
SHAPE	CONCAVE	PLANO
RADIUS	1000.00	INFINITY
SURFACE QUALITY	20-10	N/A
CLEAR APERTURE	22.86mm	N/A
IRREGULARITY AT 632.8nm	λ/10	N/A
BEVEL	PROTECTIVE AS NEEDED	PROTECTIVE AS NEEDED



		TITLE 800-1150nm, 25.4mm Dia. x 500mm EFL, Ultrafast-Enhanced Silver Concave Mirror	
		DWG NO	17272
		SHEET 1 OF 1	