

NOTES:

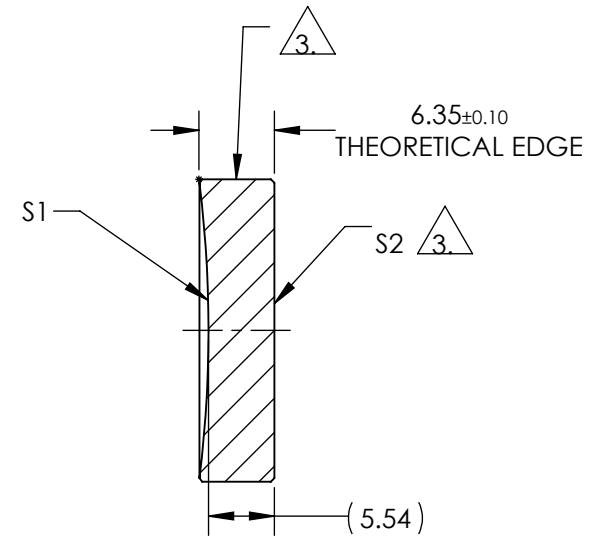
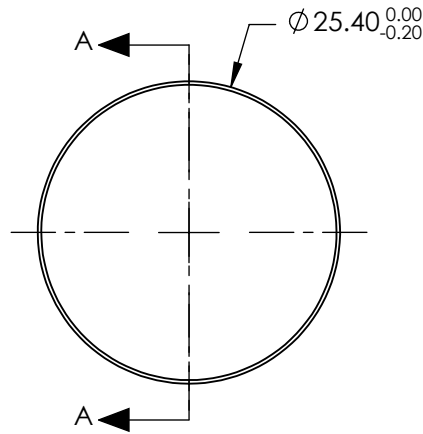
1. SUBSTRATE:  
FUSED SILICA
2. COATING (APPLY ACROSS CLEAR APERTURE)

S1: Ultrafast-Enhanced Silver  
 R(AVG) >99% @ 850-1150nm @ 0° AOI  
 Rs >99% @ 800-1150nm @ 45° AOI  
 Rp >98.5% @ 850-1100nm @ 45° AOI  
 GDD: 0 ±30 fs² @ 800 - 1150 nm

S2: NONE

△3. FINE GRIND SURFACE

4. EFL (EFFECTIVE FOCAL LENGTH): 50mm
5. Damage Threshold, Pulsed:  
 0.4 J/cm² @ 1030nm, 200fs, 1 pulse (typical)  
 0.18 J/cm² @ 1030nm, 200fs, 100Hz, 1000 pulses (typical)

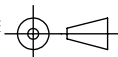


SECTION A-A

**FOR INFORMATION ONLY:  
 DO NOT MANUFACTURE  
 PARTS TO THIS DRAWING**

SPECIFICATIONS SUBJECT TO CHANGE WITHOUT NOTICE  
 DIMENSIONS ARE FOR REFERENCE ONLY

	S1	S2
SHAPE	CONCAVE	PLANO
RADIUS	100.00	INFINITY
SURFACE QUALITY	20-10	N/A
CLEAR APERTURE	22.86mm	N/A
IRREGULARITY AT 632.8nm	λ/10	N/A
BEVEL	PROTECTIVE AS NEEDED	PROTECTIVE AS NEEDED

THIRD ANGLE PROJECTION 

ALL DIMS IN mm

 **Edmund Optics®**

800-1150nm, 25.4mm Dia. x 50mm EFL,  
 Ultrafast-Enhanced Silver Concave Mirror

TITLE

DWG NO 17268

SHEET 1 OF 1