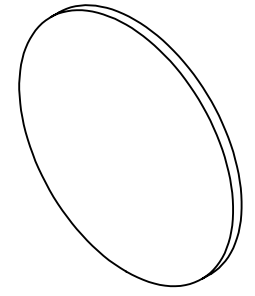


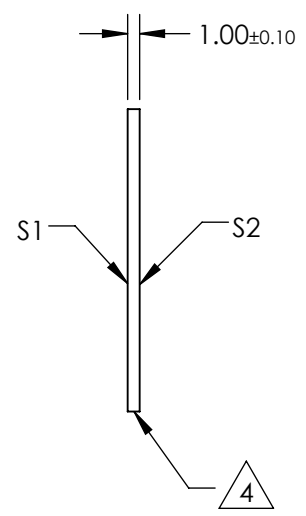
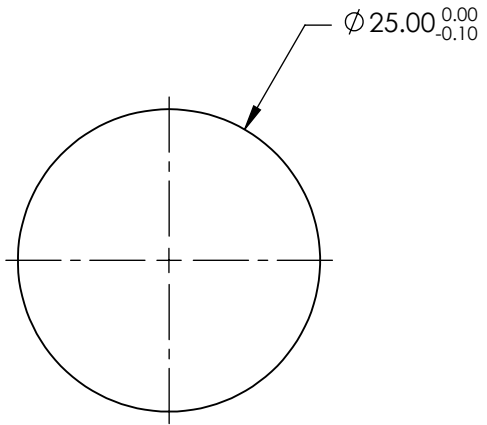
NOTES:

1. SUBSTRATE:
Silicon (Si)
2. SURFACE S2 TO BE PARALLEL WITH S1 TO <3 ARCMIN
3. COATING (APPLY ACROSS CLEAR APERTURE)
S1 & S2:
R(AVG) <1% @ 1650 - 3000nm
R(ABS) <2% @ 1650 - 3000nm



4. FINE GRIND SURFACE

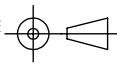
5. RoHS COMPLIANT



**FOR INFORMATION ONLY:
DO NOT MANUFACTURE
PARTS TO THIS DRAWING**

SPECIFICATIONS SUBJECT TO CHANGE WITHOUT NOTICE
DIMENSIONS ARE FOR REFERENCE ONLY

	S1	S2
SHAPE	PLANO	PLANO
CLEAR APERTURE	22.5mm	22.5mm
SURFACE QUALITY	60-40	60-40
SURFACE FLATNESS	1λ	1λ
BEVEL	PROTECTIVE AS NEEDED	PROTECTIVE AS NEEDED

THIRD ANGLE PROJECTION 

ALL DIMS IN mm

 **Edmund Optics®**

TITLE: 25mm DIA. X 1.0mm THICKNESS 1.65-3μm COATED SILICON WINDOW

DWG NO: 17197

SHEET 1 OF 1