

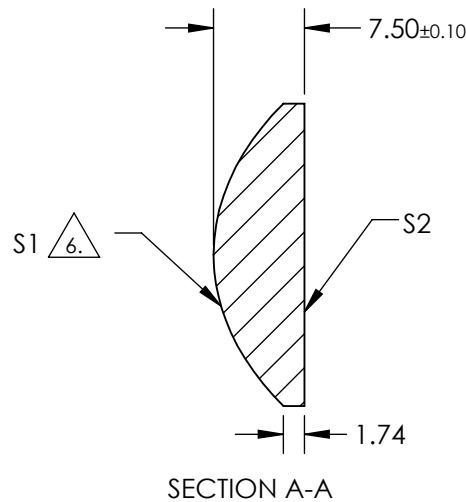
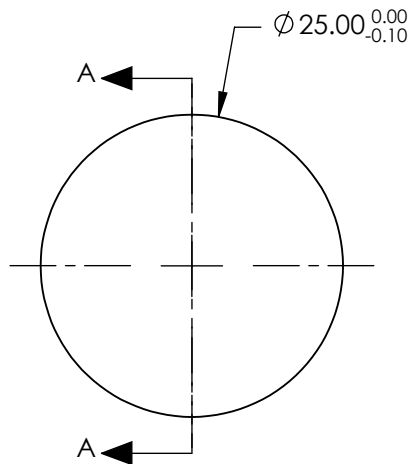
NOTES:

1. SUBSTRATE: L-BAL35
2. COATING
S1: NONE
S2: NONE
3. EDGES: FINE GROUND
4. CENTERING: 3-5 ARCMIN
5. ASPHERE FIGURE ERROR: 0.75 μm RMS

FOR INFORMATION ONLY:
DO NOT MANUFACTURE
PARTS TO THIS DRAWING

6. ASPHERIC SURFACE DESCRIBED BY (REF. COEFFICIENT TABLE)

$$Z_{ASPH}(Y) = \frac{(\frac{1}{RADIUS}) * Y^2}{1 + \sqrt{1 - (1+k) * (\frac{1}{RADIUS})^2 * Y^2}} + D * Y^2 + E * Y^4 + F * Y^6 + G * Y^8 + H * Y^{10} + J * Y^{12} + L * Y^{14}$$



COEFFICIENT TABLE 6.	
COEFFICIENT	S1
SEMI-DIAMETER	12.500000E+00
(1/RADIUS)	6.789788E-02
k	-1.439137E+00
D	0.000000E+00
E	3.416666E-05
F	-6.438044E-09
G	2.323731E-11
H	-3.519619E-14
J	0.000000E+00
L	0.000000E+00

SPECIFICATIONS SUBJECT TO CHANGE WITHOUT NOTICE DIMENSIONS ARE FOR REFERENCE ONLY

	S1	S2	EFL @ 587.6nm : 25		Edmund Optics®		
SHAPE	CONVEX	PLANO	BFL @ 587.6nm: 20.28				
RADIUS	14.728	INFINITY			25mm DIA., 0.50 NUMERICAL APERTURE UNCOATED, PRECISION MOLDED ASPHERIC LENS		
SURFACE QUALITY	60-40	60-40					
CLEAR APERTURE	90%	90%					
BEVEL MAX	PROTECTIVE AS NEEDED	PROTECTIVE AS NEEDED	ALL DIMS IN	mm	DWG NO	17082	SHEET 1 OF 1