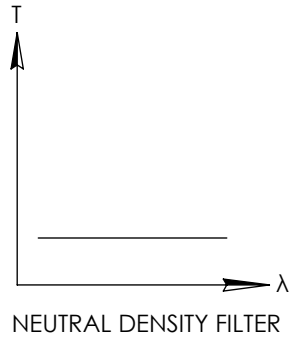
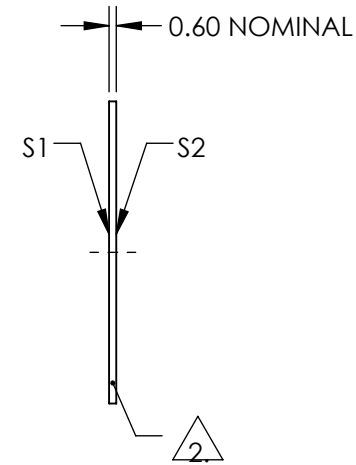
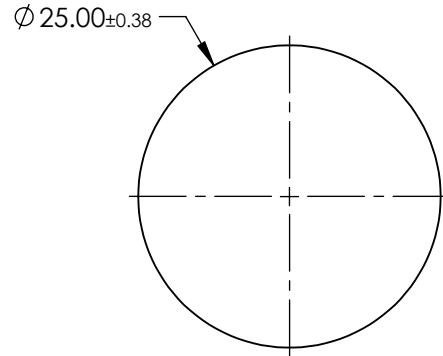
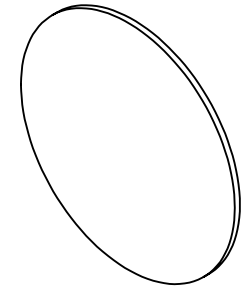


NOTES:

1. SUBSTRATE:  
SCHOTT NG11
2. FINE GRIND SURFACE
3. COATING SPECIFICATION:  
S1 & S2:NONE
4. OPTICAL DENSITY: 0.1
5. TRANSMISSION (%): 79.4
6. ROHS COMPLIANT

**FOR INFORMATION ONLY:  
DO NOT MANUFACTURE  
PARTS TO THIS DRAWING**



SPECIFICATIONS SUBJECT TO CHANGE WITHOUT NOTICE  
DIMENSIONS ARE FOR REFERENCE ONLY

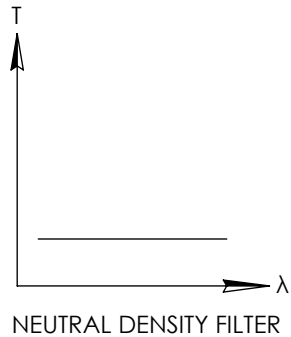
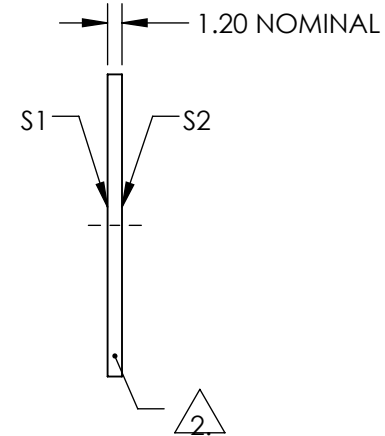
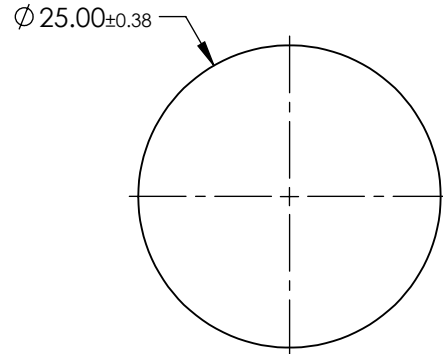
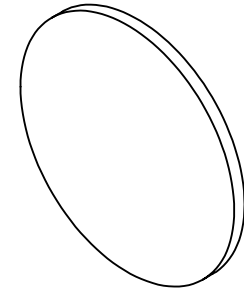
**EO**® Edmund Optics®

	S1	S2	THIRD ANGLE PROJECTION		TITLE	SCHOTT NG11, 0.1 OD, 25mm DIA., ABSORPTIVE ND FILTER	
SHAPE	PLANO	PLANO	ALL DIMS IN	mm	DWG NO	16718	SHEET 1 OF 1
SURFACE QUALITY	80-50	80-50					
BEVEL	PROTECTIVE AS NEEDED	PROTECTIVE AS NEEDED					

NOTES:

1. SUBSTRATE:  
SCHOTT NG11
2. FINE GRIND SURFACE
3. COATING SPECIFICATION:  
S1 & S2:NONE
4. OPTICAL DENSITY: 0.15
5. TRANSMISSION (%): 70.79
6. ROHS COMPLIANT

**FOR INFORMATION ONLY:  
DO NOT MANUFACTURE  
PARTS TO THIS DRAWING**



SPECIFICATIONS SUBJECT TO CHANGE WITHOUT NOTICE  
DIMENSIONS ARE FOR REFERENCE ONLY

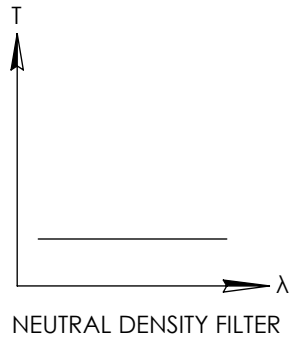
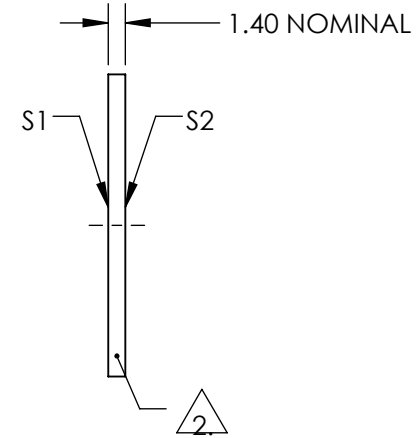
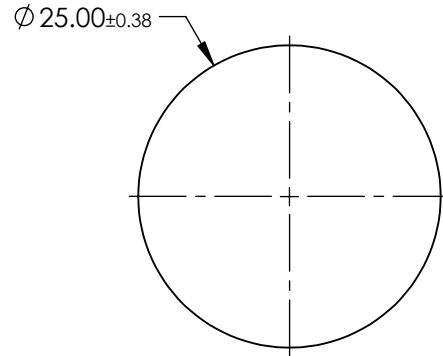
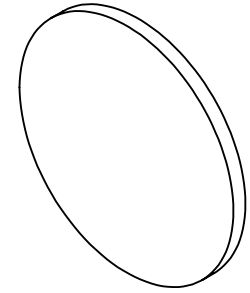
**EO**® Edmund Optics®

	S1	S2	THIRD ANGLE PROJECTION		TITLE	SCHOTT NG11, 0.15 OD, 25mm DIA., ABSORPTIVE ND FILTER	
SHAPE	PLANO	PLANO	ALL DIMS IN	mm	DWG NO	16661	SHEET 1 OF 1
SURFACE QUALITY	80-50	80-50					
BEVEL	PROTECTIVE AS NEEDED	PROTECTIVE AS NEEDED					

NOTES:

1. SUBSTRATE:  
SCHOTT NG11
2. FINE GRIND SURFACE
3. COATING SPECIFICATION:  
S1 & S2:NONE
4. OPTICAL DENSITY: 0.2
5. TRANSMISSION (%): 63.1
6. ROHS COMPLIANT

**FOR INFORMATION ONLY:  
DO NOT MANUFACTURE  
PARTS TO THIS DRAWING**



SPECIFICATIONS SUBJECT TO CHANGE WITHOUT NOTICE  
DIMENSIONS ARE FOR REFERENCE ONLY

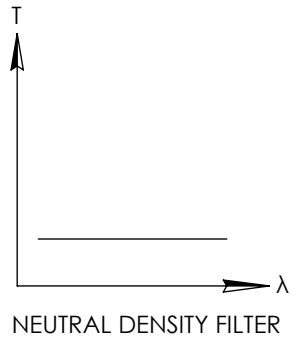
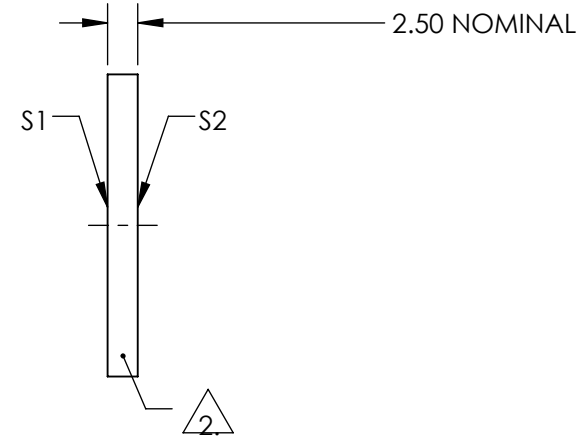
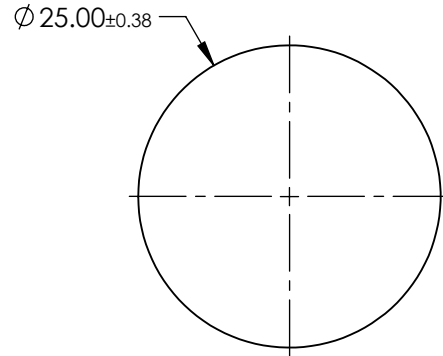
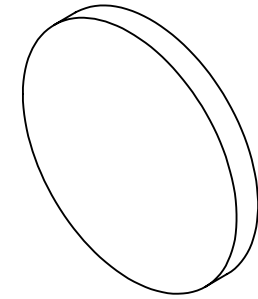
**EO**® Edmund Optics®

	S1	S2	THIRD ANGLE PROJECTION		TITLE	SCHOTT NG11, 0.2 OD, 25mm DIA., ABSORPTIVE ND FILTER	
SHAPE	PLANO	PLANO	ALL DIMS IN	mm	DWG NO	16721	SHEET 1 OF 1
SURFACE QUALITY	80-50	80-50					
BEVEL	PROTECTIVE AS NEEDED	PROTECTIVE AS NEEDED					

NOTES:

1. SUBSTRATE:  
SCHOTT NG11
2. FINE GRIND SURFACE
3. COATING SPECIFICATION:  
S1 & S2:NONE
4. OPTICAL DENSITY: 0.3
5. TRANSMISSION (%): 50.11
6. ROHS COMPLIANT

**FOR INFORMATION ONLY:  
DO NOT MANUFACTURE  
PARTS TO THIS DRAWING**



SPECIFICATIONS SUBJECT TO CHANGE WITHOUT NOTICE  
DIMENSIONS ARE FOR REFERENCE ONLY

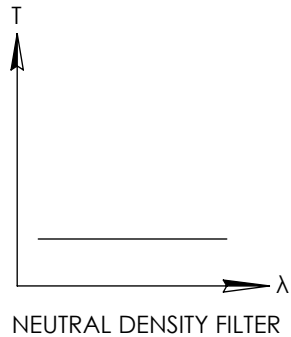
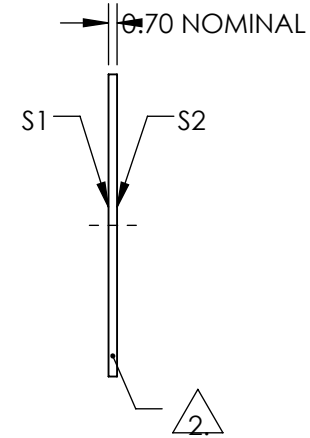
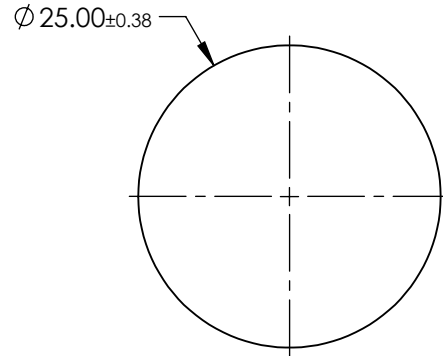
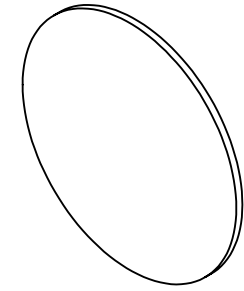
**EO**® Edmund Optics®

	S1	S2	THIRD ANGLE PROJECTION		TITLE	SCHOTT NG11, 0.3 OD, 25mm DIA., ABSORPTIVE ND FILTER	
SHAPE	PLANO	PLANO	ALL DIMS IN	mm	DWG NO	16662	SHEET 1 OF 1
SURFACE QUALITY	80-50	80-50					
BEVEL	PROTECTIVE AS NEEDED	PROTECTIVE AS NEEDED					

NOTES:

1. SUBSTRATE:  
SCHOTT NG4
2. FINE GRIND SURFACE
3. COATING SPECIFICATION:  
S1 & S2:NONE
4. OPTICAL DENSITY: 0.4
5. TRANSMISSION (%): 39.8
6. ROHS COMPLIANT

**FOR INFORMATION ONLY:  
DO NOT MANUFACTURE  
PARTS TO THIS DRAWING**



SPECIFICATIONS SUBJECT TO CHANGE WITHOUT NOTICE  
DIMENSIONS ARE FOR REFERENCE ONLY

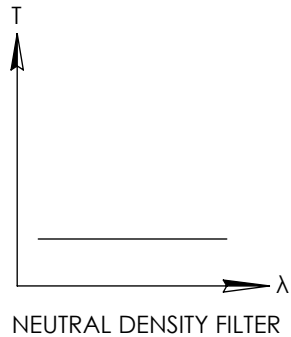
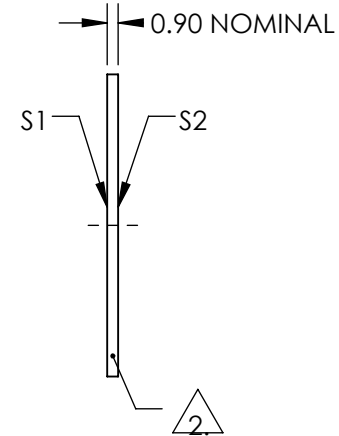
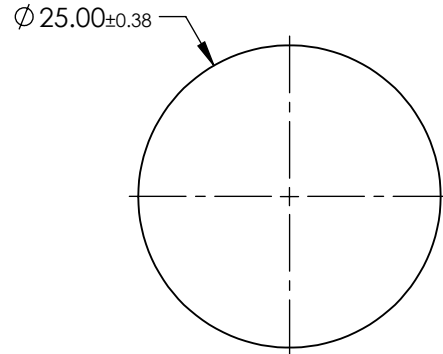
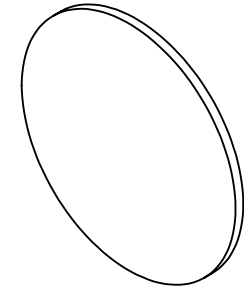
**EO**® **Edmund Optics**®

	S1	S2	THIRD ANGLE PROJECTION		TITLE	SCHOTT NG4, 0.4 OD, 25mm DIA., ABSORPTIVE ND FILTER	
SHAPE	PLANO	PLANO	ALL DIMS IN	mm	DWG NO	16724	SHEET 1 OF 1
SURFACE QUALITY	80-50	80-50					
BEVEL	PROTECTIVE AS NEEDED	PROTECTIVE AS NEEDED					

NOTES:

1. SUBSTRATE:  
SCHOTT NG4
2. FINE GRIND SURFACE
3. COATING SPECIFICATION:  
S1 & S2:NONE
4. OPTICAL DENSITY: 0.5
5. TRANSMISSION (%): 31.6
6. ROHS COMPLIANT

**FOR INFORMATION ONLY:  
DO NOT MANUFACTURE  
PARTS TO THIS DRAWING**



SPECIFICATIONS SUBJECT TO CHANGE WITHOUT NOTICE  
DIMENSIONS ARE FOR REFERENCE ONLY

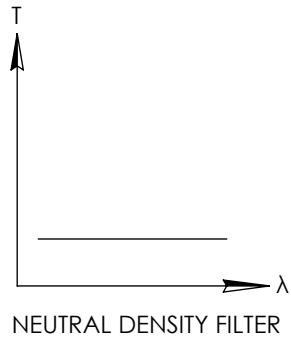
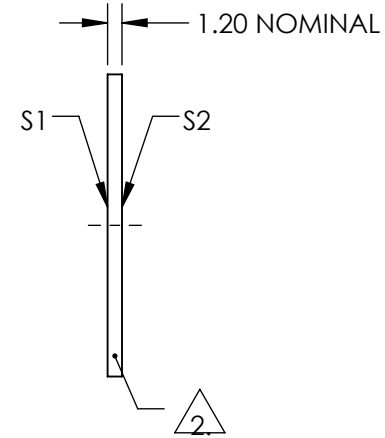
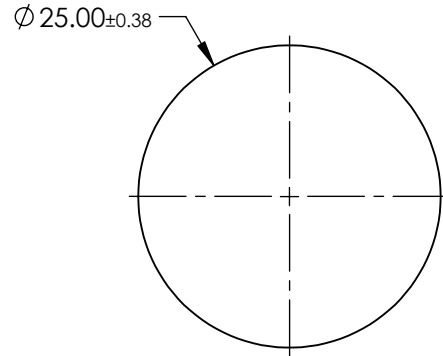
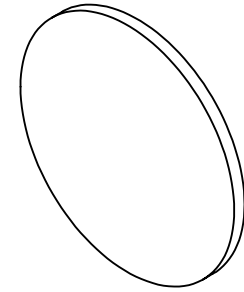
**EO**® Edmund Optics®

	S1	S2	THIRD ANGLE PROJECTION		TITLE	SCHOTT NG4, 0.5 OD, 25mm DIA., ABSORPTIVE ND FILTER	
SHAPE	PLANO	PLANO	ALL DIMS IN	mm	DWG NO	16727	SHEET 1 OF 1
SURFACE QUALITY	80-50	80-50					
BEVEL	PROTECTIVE AS NEEDED	PROTECTIVE AS NEEDED					

NOTES:

1. SUBSTRATE:  
SCHOTT NG4
2. FINE GRIND SURFACE
3. COATING SPECIFICATION:  
S1 & S2:NONE
4. OPTICAL DENSITY: 0.6
5. TRANSMISSION (%): 25.11
6. ROHS COMPLIANT

**FOR INFORMATION ONLY:  
DO NOT MANUFACTURE  
PARTS TO THIS DRAWING**



SPECIFICATIONS SUBJECT TO CHANGE WITHOUT NOTICE  
DIMENSIONS ARE FOR REFERENCE ONLY

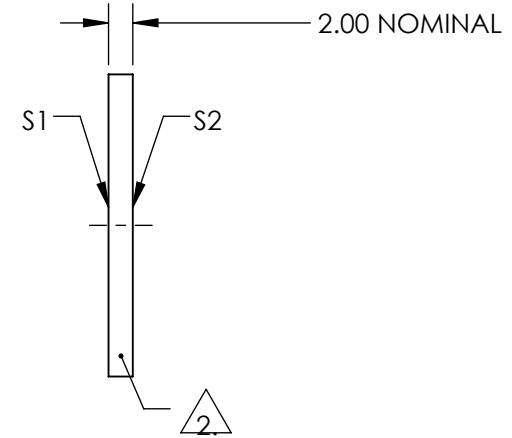
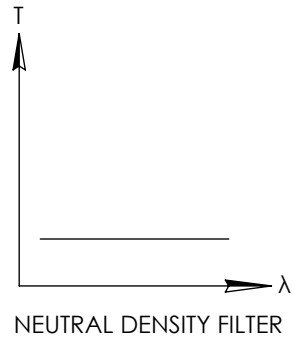
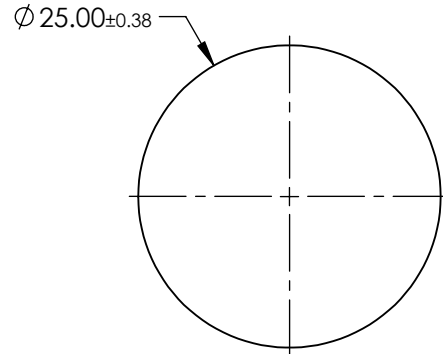
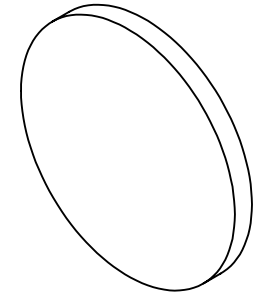
**EO**® Edmund Optics®

	S1	S2	THIRD ANGLE PROJECTION		TITLE	SCHOTT NG4, 0.6 OD, 25mm DIA., ABSORPTIVE ND FILTER	
SHAPE	PLANO	PLANO	ALL DIMS IN	mm	DWG NO	16663	SHEET 1 OF 1
SURFACE QUALITY	80-50	80-50					
BEVEL	PROTECTIVE AS NEEDED	PROTECTIVE AS NEEDED					

NOTES:

1. SUBSTRATE:  
SCHOTT NG4
2. FINE GRIND SURFACE
3. COATING SPECIFICATION:  
S1 & S2:NONE
4. OPTICAL DENSITY: 1.0
5. TRANSMISSION (%): 10.0
6. ROHS COMPLIANT

**FOR INFORMATION ONLY:  
DO NOT MANUFACTURE  
PARTS TO THIS DRAWING**



SPECIFICATIONS SUBJECT TO CHANGE WITHOUT NOTICE  
DIMENSIONS ARE FOR REFERENCE ONLY

**EO**® Edmund Optics®

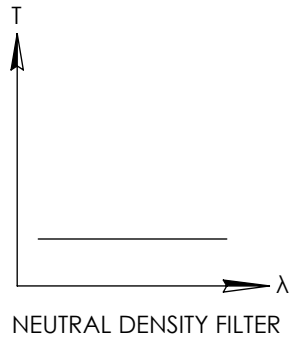
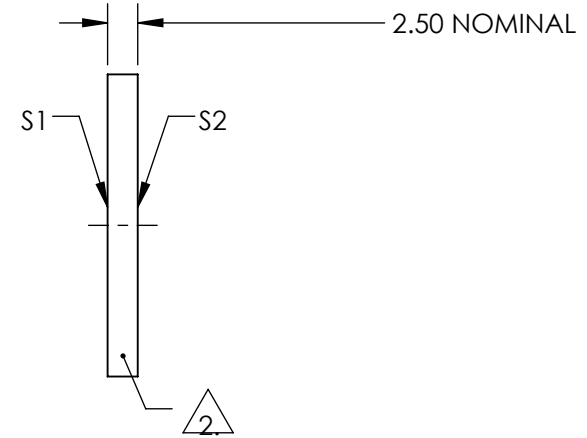
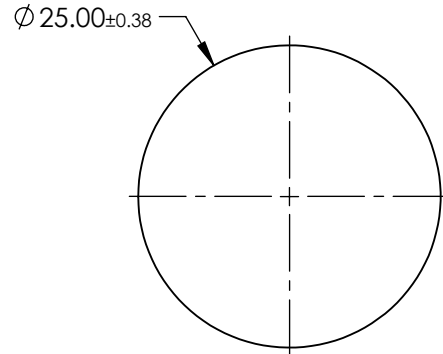
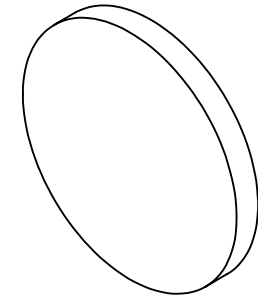
	S1	S2	THIRD ANGLE PROJECTION		TITLE	SCHOTT NG4, 1.0 OD, 25mm DIA., ABSORPTIVE ND FILTER	
SHAPE	PLANO	PLANO	ALL DIMS IN	mm	DWG NO	16664	SHEET 1 OF 1
SURFACE QUALITY	80-50	80-50					
BEVEL	PROTECTIVE AS NEEDED	PROTECTIVE AS NEEDED					



NOTES:

1. SUBSTRATE:  
SCHOTT NG4
2. FINE GRIND SURFACE
3. COATING SPECIFICATION:  
S1 & S2:NONE
4. OPTICAL DENSITY: 1.3
5. TRANSMISSION (%): 5.01
6. ROHS COMPLIANT

**FOR INFORMATION ONLY:  
DO NOT MANUFACTURE  
PARTS TO THIS DRAWING**



SPECIFICATIONS SUBJECT TO CHANGE WITHOUT NOTICE  
DIMENSIONS ARE FOR REFERENCE ONLY

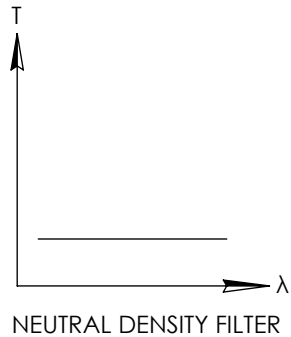
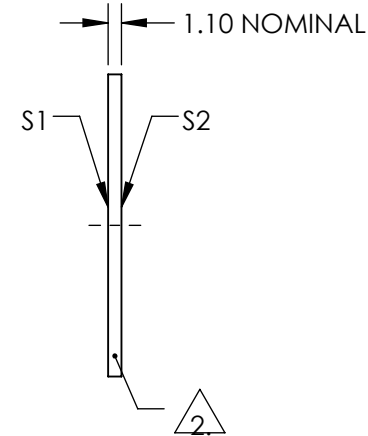
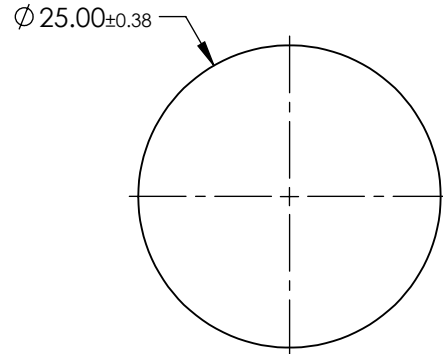
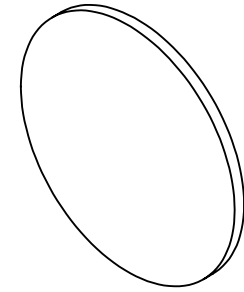
**EO**® Edmund Optics®

	S1	S2	THIRD ANGLE PROJECTION		TITLE	SCHOTT NG4, 1.3 OD, 25mm DIA., ABSORPTIVE ND FILTER	
SHAPE	PLANO	PLANO	ALL DIMS IN	mm	DWG NO	16665	SHEET 1 OF 1
SURFACE QUALITY	80-50	80-50					
BEVEL	PROTECTIVE AS NEEDED	PROTECTIVE AS NEEDED					

NOTES:

1. SUBSTRATE:  
SCHOTT NG9
2. FINE GRIND SURFACE
3. COATING SPECIFICATION:  
S1 & S2:NONE
4. OPTICAL DENSITY: 1.6
5. TRANSMISSION (%): 2.51
6. ROHS COMPLIANT

**FOR INFORMATION ONLY:  
DO NOT MANUFACTURE  
PARTS TO THIS DRAWING**



SPECIFICATIONS SUBJECT TO CHANGE WITHOUT NOTICE  
DIMENSIONS ARE FOR REFERENCE ONLY

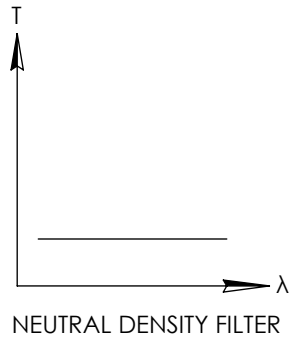
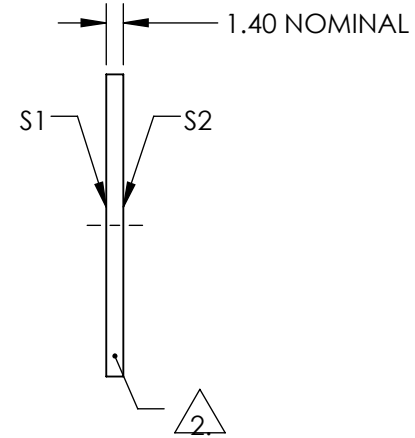
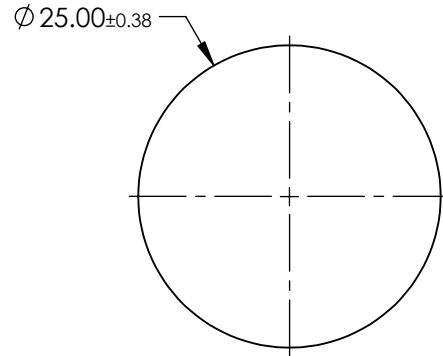
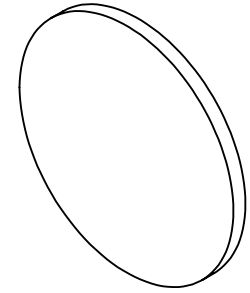
**EO**® **Edmund Optics**®

	S1	S2	THIRD ANGLE PROJECTION		TITLE	SCHOTT NG9, 1.6 OD, 25mm DIA., ABSORPTIVE ND FILTER	
SHAPE	PLANO	PLANO	ALL DIMS IN	mm	DWG NO	16666	SHEET 1 OF 1
SURFACE QUALITY	80-50	80-50					
BEVEL	PROTECTIVE AS NEEDED	PROTECTIVE AS NEEDED					

NOTES:

1. SUBSTRATE:  
SCHOTT NG9
2. FINE GRIND SURFACE
3. COATING SPECIFICATION:  
S1 & S2:NONE
4. OPTICAL DENSITY: 2.0
5. TRANSMISSION (%): 1.0
6. ROHS COMPLIANT

**FOR INFORMATION ONLY:  
DO NOT MANUFACTURE  
PARTS TO THIS DRAWING**



SPECIFICATIONS SUBJECT TO CHANGE WITHOUT NOTICE  
DIMENSIONS ARE FOR REFERENCE ONLY

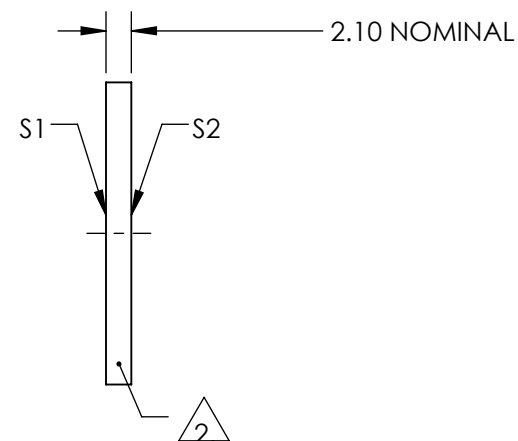
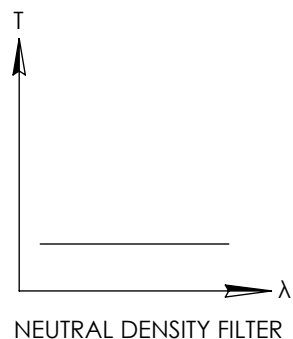
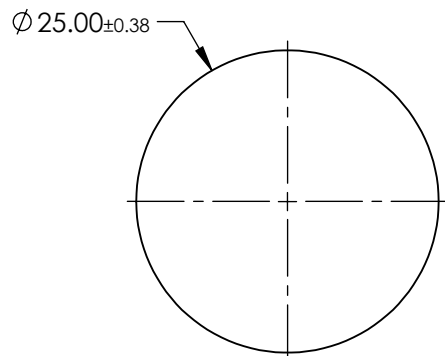
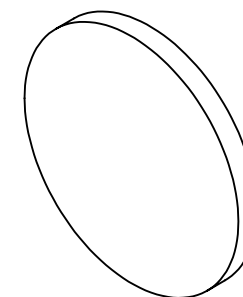
**EO**® Edmund Optics®

	S1	S2	THIRD ANGLE PROJECTION		TITLE	SCHOTT NG9, 2.0 OD, 25mm DIA., ABSORPTIVE ND FILTER	
SHAPE	PLANO	PLANO	ALL DIMS IN	mm	DWG NO	16667	SHEET 1 OF 1
SURFACE QUALITY	80-50	80-50					
BEVEL	PROTECTIVE AS NEEDED	PROTECTIVE AS NEEDED					

NOTES:

1. SUBSTRATE:  
SCHOTT NG9
2. FINE GRIND SURFACE
3. COATING SPECIFICATION:  
S1 & S2:NONE
4. OPTICAL DENSITY: 3.0
5. TRANSMISSION (%): 0.1
6. ROHS COMPLIANT

**FOR INFORMATION ONLY:  
DO NOT MANUFACTURE  
PARTS TO THIS DRAWING**



SPECIFICATIONS SUBJECT TO CHANGE WITHOUT NOTICE  
DIMENSIONS ARE FOR REFERENCE ONLY

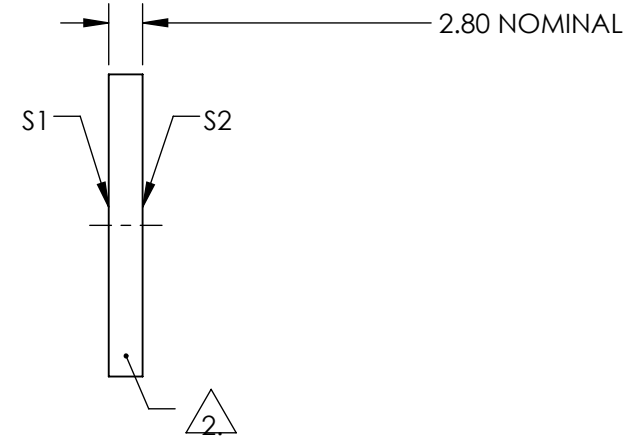
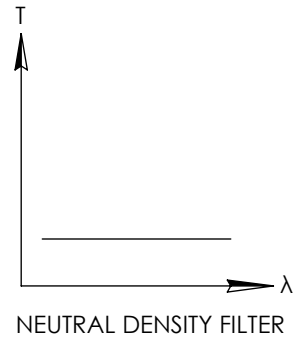
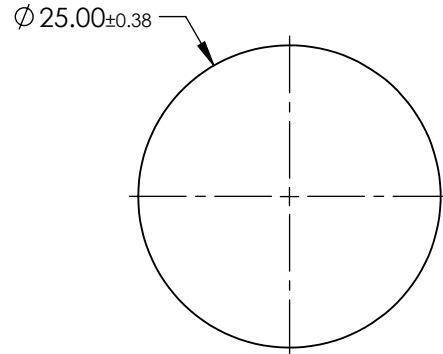
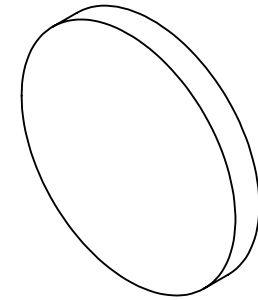
**EO**® Edmund Optics®

	S1	S2	THIRD ANGLE PROJECTION		TITLE	SCHOTT NG9, 3.0 OD, 25mm DIA., ABSORPTIVE ND FILTER	
SHAPE	PLANO	PLANO	ALL DIMS IN	mm	DWG NO	16670	SHEET 1 OF 1
SURFACE QUALITY	80-50	80-50					
BEVEL	PROTECTIVE AS NEEDED	PROTECTIVE AS NEEDED					

NOTES:

1. SUBSTRATE:  
SCHOTT NG9
2. FINE GRIND SURFACE
3. COATING SPECIFICATION:  
S1 & S2:NONE
4. OPTICAL DENSITY: 4.0
5. TRANSMISSION (%): 0.01
6. ROHS COMPLIANT

**FOR INFORMATION ONLY:  
DO NOT MANUFACTURE  
PARTS TO THIS DRAWING**



SPECIFICATIONS SUBJECT TO CHANGE WITHOUT NOTICE  
DIMENSIONS ARE FOR REFERENCE ONLY

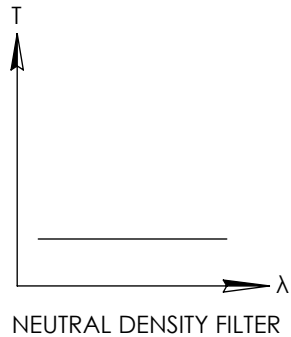
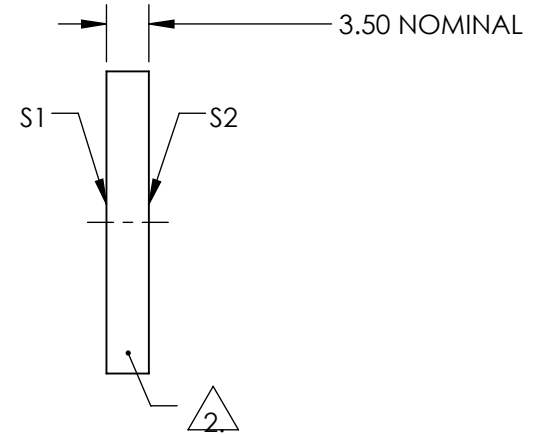
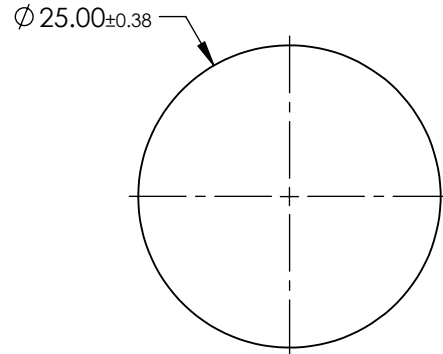
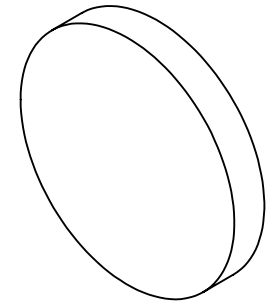
**EO**® Edmund Optics®

	S1	S2	THIRD ANGLE PROJECTION		TITLE	SCHOTT NG9, 4.0 OD, 25mm DIA., ABSORPTIVE ND FILTER	
SHAPE	PLANO	PLANO	ALL DIMS IN	mm	DWG NO	16673	SHEET 1 OF 1
SURFACE QUALITY	80-50	80-50					
BEVEL	PROTECTIVE AS NEEDED	PROTECTIVE AS NEEDED					

NOTES:

1. SUBSTRATE:  
SCHOTT NG9
2. FINE GRIND SURFACE
3. COATING SPECIFICATION:  
S1 & S2:NONE
4. OPTICAL DENSITY: 5.0
5. TRANSMISSION (%): 0.001
6. ROHS COMPLIANT

**FOR INFORMATION ONLY:  
DO NOT MANUFACTURE  
PARTS TO THIS DRAWING**



SPECIFICATIONS SUBJECT TO CHANGE WITHOUT NOTICE  
DIMENSIONS ARE FOR REFERENCE ONLY

**EO**® **Edmund Optics**®

	S1	S2	THIRD ANGLE PROJECTION		TITLE	SCHOTT NG9, 5.0 OD, 25mm DIA., ABSORPTIVE ND FILTER	
SHAPE	PLANO	PLANO	ALL DIMS IN	mm	DWG NO	16676	SHEET 1 OF 1
SURFACE QUALITY	80-50	80-50					
BEVEL	PROTECTIVE AS NEEDED	PROTECTIVE AS NEEDED					