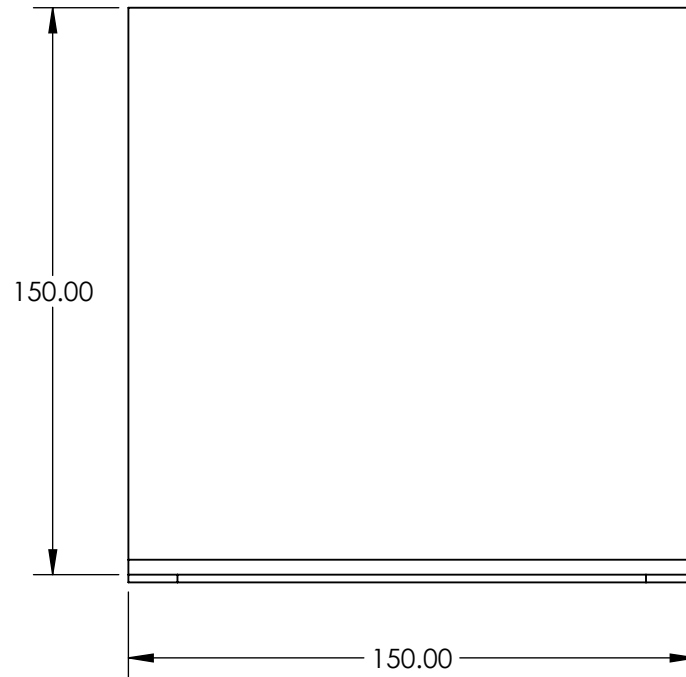
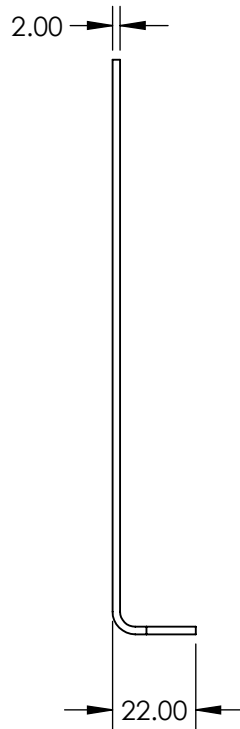
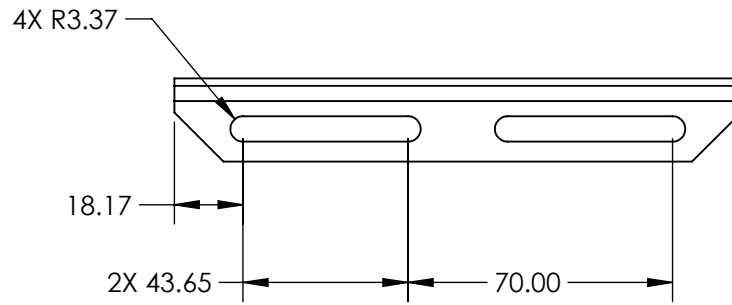


NOTES:

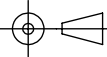
1. MATERIAL:
BEAD-BLASTED ANODIZED ALUMINUM
2. INCLUDED HARWARE:
(2) 1/4-20, 1/2" LONG SHCS
(2) M6 x 1.0, 10mm LONG SHCS
(1) ENGLISH ALLEN WRENCH (#55-192)
(1) METRIC ALLEN WRENCH (#55-200)
3. ROHS: COMPLIANT



**FOR INFORMATION ONLY:
DO NOT MANUFACTURE
PARTS TO THIS DRAWING**

SPECIFICATIONS SUBJECT TO
CHANGE WITHOUT NOTICE
DIMENSIONS ARE FOR
REFERENCE ONLY

EO® Edmund Optics®

THIRD ANGLE PROJECTION 		TITLE	6" x 6" LASER SAFETY BARRIER	
ALL DIMS IN	mm	DWG NO	14730	SHEET 1 OF 1