

NOTES:

1. SUBSTRATE: BOROFLOAT33
2. COATING

DURABILITY:

PHYSICAL: MIL-C-48497A, SECTION 3.4.1
 ENVIRONMENTAL: MIL-STD-810F, SECTION 507.4

PERFORMANCE SPECIFICATIONS @ 0° AOI

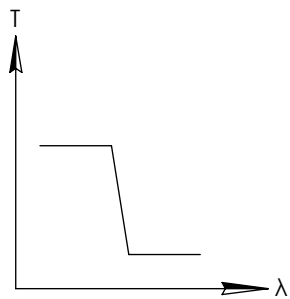
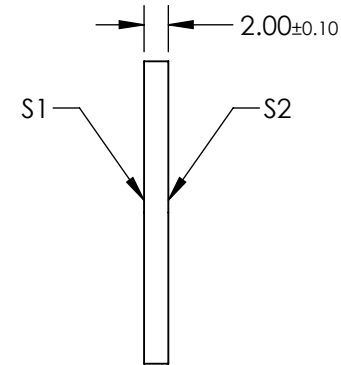
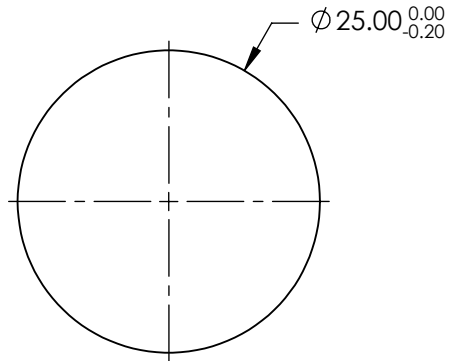
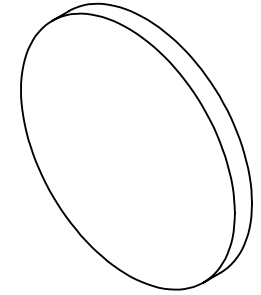
T(AVG): ≥85% from 400 - 675nm

T(AVG): ≤1% from 730 - 900nm

CUT-OFF WAVELENGTH: T(ABS) = 50% @ 700nm ± 14nm

3. ROHS COMPLIANT

**FOR INFORMATION ONLY:
 DO NOT MANUFACTURE
 PARTS TO THIS DRAWING**

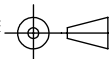


SHORTPASS FILTER

SPECIFICATIONS SUBJECT TO CHANGE WITHOUT NOTICE
 DIMENSIONS ARE FOR REFERENCE ONLY

	S1	S2
SHAPE	PLANO	PLANO
SURFACE QUALITY	60-40	60-40
CLEAR APERTURE	Ø22.5	Ø22.5
BEVEL	PROTECTIVE AS NEEDED	PROTECTIVE AS NEEDED

THIRD ANGLE PROJECTION



ALL DIMS IN

mm



TITLE

FILTER OD2 SHORTPASS 700nm 25mm

DWG NO

15261

SHEET
1 OF 1