

NOTES:

1. SUBSTRATE: BOROFLOAT33
2. COATING

DURABILITY:

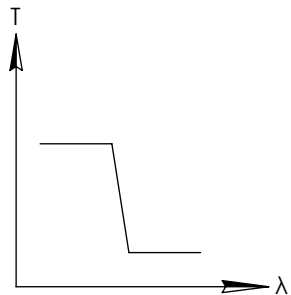
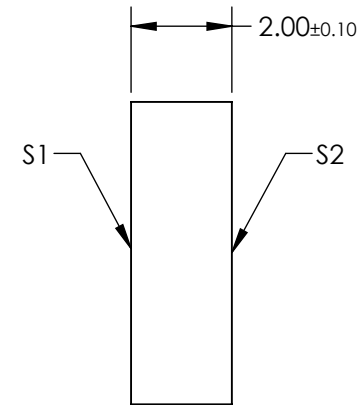
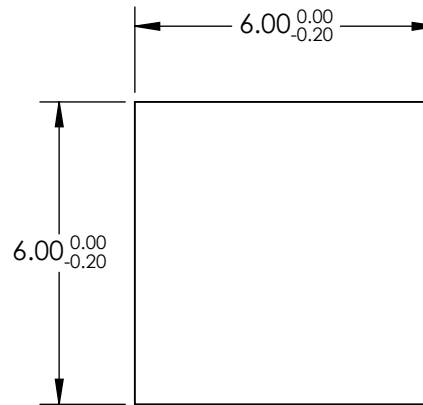
PHYSICAL: MIL-C-48497A, SECTION 3.4.1
 ENVIRONMENTAL: MIL-STD-810F, SECTION 507.4

PERFORMANCE SPECIFICATIONS @ 0° AOI

T(AVG): ≥85% FROM 440 - 825nm
 T(AVG): ≤1% FROM 900 - 1110nm
 CUT-OFF WAVELENGTH: T(ABS) = 50% @ 850nm ± 17nm

3. ROHS COMPLIANT

**FOR INFORMATION ONLY:
DO NOT MANUFACTURE
PARTS TO THIS DRAWING**



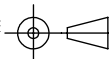
SHORTPASS FILTER

SPECIFICATIONS SUBJECT TO CHANGE WITHOUT NOTICE
 DIMENSIONS ARE FOR REFERENCE ONLY



	S1	S2
SHAPE	PLANO	PLANO
SURFACE QUALITY	60-40	60-40
CLEAR APERTURE	5.40 x 5.40	5.40 x 5.40
BEVEL	PROTECTIVE AS NEEDED	PROTECTIVE AS NEEDED

THIRD ANGLE PROJECTION



ALL DIMS IN

mm

TITLE	FILTER OD2 SHORTPASS 850nm 6mm x 6mm
DWG NO	15242
SHEET 1 OF 1	